

Highly Efficient, Regulated Dual-Output, Ambient Energy Manager for AC or DC Sources with Optional Primary Battery

Features

Ultra-low power start-up

- Cold start from 380 mV input voltage and 3 μ W input power (typical).

Ultra-low power boost regulator

- Open-circuit voltage sensing for MPPT every 0.33 s.
- Configurable MPPT with 2-pin programming.
- Selectable Voc ratios of 50%, 65% or 80%.
- Harvesting input voltage range from 50 mV to 5 V.
- MPPT voltage operation range from 50 mV to 4.5 V.
- Constant impedance matching (ZMPPT).

Integrated 1.2 V/1.8 V LDO regulator

- Up to 20 mA load current.
- Dynamically power-gated by external control.
- Selectable output voltage.

Integrated 1.8 V - 4.1 V LDO regulator

- Up to 80 mA load current with 300 mV drop-out.
- Dynamically power-gated by external control.
- Selectable or adjustable output voltage.

Flexible energy storage management

- Selectable or adjustable overcharge and over-discharge protection for any type of rechargeable battery or (super)capacitor.
- Fast supercapacitor charging.
- Indication when battery is running low.
- Indication when output voltage regulators are available.

Optional primary battery

- Automatic switching to primary battery when the secondary battery is exhausted.

Integrated storage element balancing circuit for dual-cell supercapacitor

Applications

Piezo harvesting	Home automation
Micro turbine harvesting	Transportation
RF harvesting	Smart agriculture
Industrial monitoring	

Description

The AEM30940 is an integrated energy management circuit that extracts DC power from a piezo generator, a micro turbine generator or any high frequency RF input to simultaneously store energy in a rechargeable element and supply the system with two independent regulated voltages. The AEM30940 allows to extend battery lifetime and ultimately eliminate the primary energy storage element in a large range of wireless applications such as industrial monitoring, home automation, transportation and smart agriculture.

The AEM30940 harvests the available input current up to 110 mA while regulating the source to a voltage configured by the user. It integrates an ultra-low power boost converter to charge a storage element, such as a Li-ion battery, a thin film battery, a supercapacitor or a conventional capacitor. The boost converter operates with input voltages ranging from 50 mV to 5 V.

With its unique cold-start circuit, it can start operating with empty storage elements at an input voltage as low as 380 mV and an input power of only 3 μ W.

The low-voltage supply typically drives a microcontroller at 1.2 V or 1.8 V. The high-voltage supply typically drives a radio transceiver at a configurable voltage between 1.8 V and 4.1 V. Both are driven by highly-efficient LDO (Low Drop-Out) linear regulators for low noise and high stability.

Configuration pins determine various operating modes by setting predefined conditions for the energy storage element (overcharge or overdischarge voltages), and by selecting the voltage of the high-voltage supply and the low-voltage supply. Moreover, special modes can be obtained at the expense of a few configuration resistors.

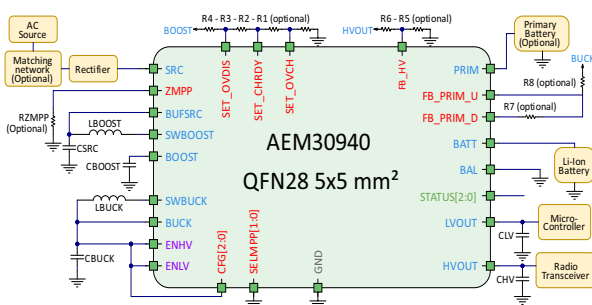
The chip integrates all active elements for powering a typical wireless sensor. Five capacitors and two inductors are required, all available in small packages. With only seven external components, integration is maximized, footprint and BOM are minimized, optimizing the time-to-market and the costs of designs.

Device Information

Part Number	Package	Body Size
10AEM30940C0000	QFN 28-pin	5x5mm

Evaluation Board

AEM30940 evaluation boards are available at e-peas.com.



1. Introduction	6
2. Pin Configuration and Functions	7
3. Absolute Maximum Ratings	8
4. Thermal Resistance	8
5. Typical Electrical Characteristics at 25 °C	9
6. Recommended Operation Conditions	11
7. Functional Block Diagram	12
8. Theory of Operation	13
8.1. Power Converters	13
8.2. Operating Modes	14
8.3. Matching Network and Rectifier	16
8.4. Maximum Power Point Tracking	16
8.5. Storage Element Balancing Circuit for Dual-cell Supercapacitor	16
9. System Configuration	17
9.1. Battery and LDOs Configuration	17
9.2. MPPT Configuration	18
9.3. Primary Battery Configuration	18
9.4. ZMPPT Configuration	18
9.5. No-battery Configuration	18
9.6. Supplying an Application Circuit with BUCK	18
9.7. Storage Element Information	19
9.8. External Inductors Information	19
9.9. External Capacitors Information	20
10. Typical Application Circuits	21
10.1. Example Circuit 1	21
10.2. Example Circuit 2	22
11. Circuit Behavior	23
11.1. Cold-start Behavior	23
11.2. Overcharge Mode Behavior	25
11.3. Shutdown Mode Behavior	26
11.4. Primary Battery Mode Behavior	27
12. Performance Data	28
12.1. BOOST Conversion Efficiency for LBOOST = 10 μ H	28
12.2. BOOST Conversion Efficiency for LBOOST = 22 μ H	29
12.3. BUCK Conversion Efficiency	30
12.4. Quiescent Current	30
12.5. High-voltage LDO Regulation	31
12.6. Low-voltage LDO Regulation	31
12.7. High-voltage LDO Efficiency	32
12.8. Low-voltage LDO Efficiency	33
13. Schematic	34
14. Layout	35
14.1. Guidelines	35
14.2. Layout Example	36



15. Package Information	37
15.1. Plastic Quad Flatpack No-lead (QFN 28-pin 5x5mm)	37
15.2. Board Layout (QFN 28-pin 5x5mm)	37
16. Glossary	38
17. Revision History	40

List of Figures

Figure 1: Simplified schematic view	6
Figure 2: Pinout diagram QFN 28-pin	7
Figure 3: Functional block diagram	12
Figure 4: Simplified schematic view of the AEM30940	13
Figure 5: Diagram of the AEM30940 modes	14
Figure 6: MPP evaluation behavior	16
Figure 7: Custom configuration resistors	18
Figure 8: Schematic for supplying an application circuit with BUCK	19
Figure 9: Typical application circuit 1	21
Figure 10: Typical application circuit 2	22
Figure 11: Cold start with a capacitor connected to BATT	23
Figure 12: Cold start with a battery connected to BATT	24
Figure 13: Overcharge mode	25
Figure 14: Shutdown mode (without primary battery)	26
Figure 15: Switching to primary battery when battery is overdischarged	27
Figure 16: Boost efficiency for I_{src} : 100 μ A, 1mA, 10mA and 100mA (AEM30940 LBOOST = 10 μ H) ...	28
Figure 17: Boost efficiency for I_{src} : 100 μ A, 1mA, 10mA and 50mA (AEM30940 LBOOST = 22 μ H)	29
Figure 18: Buck Efficiency ($L_{BUCK} = 10 \mu H$)	30
Figure 19: Quiescent current with LDOs on and off	30
Figure 20: HVOUT at 3.3 V and 2.5 V	31
Figure 21: LVOUT at 1.2 V and 1.8 V	31
Figure 22: HVOUT efficiency at 1.8V, 2.5V and 3.3 V	32
Figure 23: Efficiency of buck cascaded with LVOUT at 1.2 V and 1.8 V	33
Figure 24: Schematic example	34
Figure 25: Layout example for the AEM30940 and its passive components	36
Figure 26: QFN 28-pin 5x5mm drawing (all dimension in mm)	37
Figure 27: Recommended board layout for QFN 28-pin 5x5mm (all dimension in mm)	37

List of Tables

Table 1: Pins description	7
Table 2: Absolute maximum ratings	8
Table 3: Thermal data	8
Table 4: ESD caution	8
Table 5: Electrical characteristics	9
Table 6: Recommended operating conditions	11
Table 7: LDOs configurations	14
Table 8: Usage of CFG[2:0]	17
Table 9: Usage of SELMPP[1:0]	18
Table 10: BOM example for AEM30940 and its required passive components	34
Table 11: Revision history	40

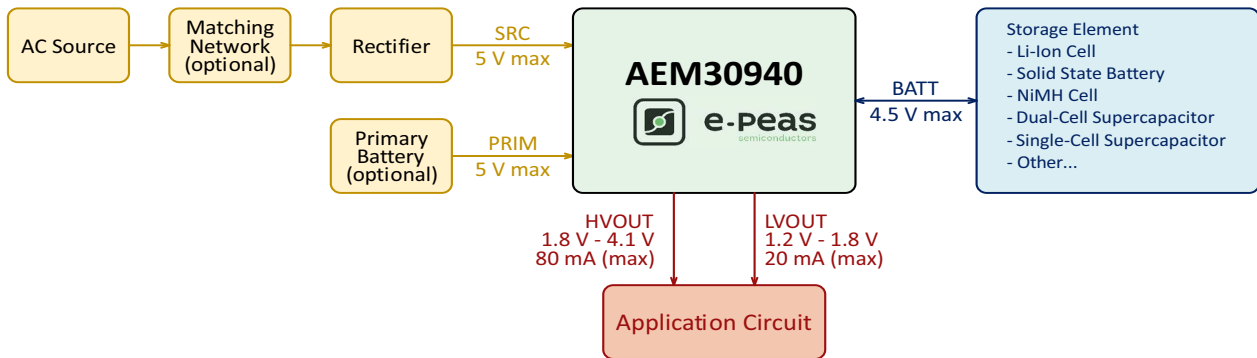


Figure 1: Simplified schematic view

1. Introduction

The AEM30940 is a full-featured energy efficient power management circuit capable of charging a storage element (battery or supercapacitor, connected to **BATT**) from an energy source (connected to **SRC**) as well as supplying loads at different operating voltages through two power supplying LDO regulators (**LVOUT** and **HVOUT**).

The heart of the AEM30940 is a cascade of two regulated switching converters, namely the boost converter and the buck converter, both with high power conversion efficiencies (See Section 12).

At first start-up, as soon as a required cold-start voltage of 380 mV and a scant amount of power of only 3 μ W are available from the harvested energy source, the AEM coldstarts. After the cold start, the AEM can extract the power available from the source as long as the input voltage is within 50 mV to 5 V range.

Through three configuration pins (**CFG[2:0]**), the user can select a specific operating mode from a range of seven modes that covers most application requirements without any dedicated external component. These operating modes define the LDO output voltages and the protection levels of the storage element. A custom mode allows the user to define arbitrary storage element protection levels and the output voltage of the high-voltage LDO (See Section 9.1).

The Maximum Power Point (MPP) ratio can be configured using two configuration pins (**SELMPP[1:0]**) (See Section 9.2).

Two logic control pins (**ENLV** and **ENHV**) allow to dynamically activate or deactivate the LDO regulators that supply the low and high voltage load. The status pin **STATUS[0]** alerts the user that the LDOs are operational and can be enabled. This signal can also be used to enable an optional external regulator.

If the battery voltage gets depleted, **LVOUT** and **HVOUT** are power-gated and the controller is no longer supplied by the storage element to protect it from further discharge. Around 600 ms before the shutdown of the AEM, the status pin **STATUS[1]** alerts the user for a clean shutdown of the system.

However, if the storage element gets depleted and an optional primary battery is connected on **PRIM**, the AEM30940 automatically uses it as a source to recharge the storage element before switching back to the ambient source. This guarantees continuous operation even under the most adverse conditions (See Section 8.2.4). **STATUS[1]** is asserted when the primary battery is providing power.

The status of the MPPT controller is reported with one dedicated status pin (**STATUS[2]**). The status pin is asserted when an MPP calculation is being performed.

2. Pin Configuration and Functions

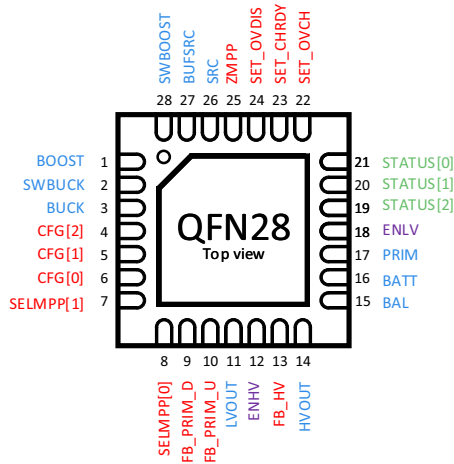


Figure 2: Pinout diagram QFN 28-pin

Name	Pin Number	Function
Power pins		
BOOST	1	Output of the boost converter.
SWBUCK	2	Switching node of the buck converter.
BUCK	3	Output of the buck converter.
LVOUT	11	Output of the low voltage LDO regulator.
HVOUT	14	Output of the high voltage LDO regulator.
BAL	15	Connection to the mid-point of a dual-cell supercapacitor (optional). Must be connected to GND if not used.
BATT	16	Connection to the energy storage element, battery or capacitor. Cannot be left floating.
PRIM	17	Connection to the primary battery (optional). Must be connected to GND if not used.
SRC	26	Connection to the harvested energy source.
BUFSRC	27	Connection to an external capacitor buffering the boost converter input.
SWBOOST	28	Switching node of the boost converter.
Configuration pins		
CFG[2]	4	Used for the configuration of the threshold voltages of the energy storage element and the output voltage of the LDOs.
CFG[1]	5	
CFG[0]	6	
SELMPP[1]	7	Used for the configuration of the MPP ratio.
SELMPP[0]	8	
FB_PRIM_D	9	Used for the configuration of the primary battery overdischarge voltage (optional). Must be connected to GND if not used.
FB_PRIM_U	10	
FB_HV	13	Used for the configuration of the high-voltage LDO when in custom mode (optional). Must be left floating if not used.
SET_OVCH	22	Used for the configuration of the threshold voltages for the energy storage element when in custom mode (optional). Must be connected to BUCK if not used.
SET_CHRDY	23	
SET_OVDIS	24	
ZMPP	25	Used for the configuration of the ZMPPT (optional). Must be left floating if not used.

Table 1: Pins description (Part 1)

Name	Pin Number	Function
Control pins		
ENHV	12	Enabling pin for the high-voltage LDO (See Table 7).
ENLV	18	Enabling pin for the low-voltage LDO (See Table 7).
Status pins		
STATUS[2]	19	Logic output. Asserted when the AEM performs a MPP evaluation.
STATUS[1]	20	Logic output. <ul style="list-style-type: none"> - HIGH: <ul style="list-style-type: none"> - during T_{CRIT} when in SHUTDOWN MODE. - as long as in PRIMARY BATTERY MODE. - LOW otherwise.
STATUS[0]	21	Logic output. Asserted when the LDOs can be enabled.
Other pins		
GND	Exposed pad	Ground connection, should be solidly tied to the PCB ground plane.

Table 1: Pins description (Part 2)

3. Absolute Maximum Ratings

Parameter	Rating
Voltage on SRC, BUFSRC, BATT, BAL, PRIM, BOOST, SWBOOST, HVOUT, ENLV, ZMPP	5.5 V
Voltage on BUCK, SWBUCK, LVOUT, CFG[2:0], FB_PRIM_U, FB_PRIM_D, SELMPP[1:0], SET_OVDIS, SET_CHRDY, SET_OVCH, ENHV	2.75 V
Voltage on FB_HV	2.5 V
Operating junction temperature	-40°C to +125°C
Storage temperature	-65°C to +150°C

Table 2: Absolute maximum ratings

4. Thermal Resistance

Package	θ_{JA}	θ_{JC}	Unit
QFN 28-pin	38.3	2.183	°C/W

Table 3: Thermal data


ESD CAUTION		
	ESD (ELECTROSTATIC DISCHARGE) SENSITIVE DEVICE These devices have limited built-in ESD protection and damage may thus occur on devices subjected to high-energy ESD. Therefore, proper ESD precautions should be taken to avoid performance degradation or loss of functionality	
	VESD	Human-body model according to Jedec JS001-2017 Charge device model according to Jedec JS002-2014

Table 4: ESD caution

5. Typical Electrical Characteristics at 25 °C

Symbol	Parameter	Condition	Min	Typ	Max	Unit
Input voltage and input power						
P_{SRC_CS}	Source power required to coldstart.	During cold start.	3			μW
V_{SRC}	Input voltage of the energy source (maximum given by the open-circuit voltage).	During cold start.	0.38		5	V
		After cold start.	0.05 ¹		5	
I_{SRC}	Harvested current from the energy source.	$L_{BOOST} = 10 \mu H$.			110	mA
		$L_{BOOST} = 22 \mu H$.			50	
V_{MPP}	Voltage level of the Maximum Power Point.	After cold start.	0.05		4.5	V
DC-DC converters						
V_{BOOST}	Output voltage of the boost converter.	During normal operation.	2.2		4.5	V
V_{BUCK}	Output voltage of the buck converter.		2	2.2	2.5	
$V_{BUCK,RESET}$	Minimum voltage on BUCK before switching to DEEP SLEEP MODE (from any other mode).			1.8		V
I_{BUCK}	Total load current supplied by the BUCK converter (including LVOUT current I_{LV}).	$L_{BUCK} = 10 \mu H$.	0		20	mA
		$L_{BUCK} = 4 \mu H$.	0		50	mA
Storage element						
V_{BATT}	Voltage on the storage element.		0 ²		4.5	V
V_{PRIM}	Voltage on the primary battery.		0.6		4.5	V
I_{PRIM}	Current from the primary battery.			20		mA
$V_{FB_PRIM_U}$	Feedback for defining the overdischarge voltage level on the primary battery.		0.15		1.1	V
V_{OVCH}	Maximum voltage accepted on the storage element before disabling the boost converter.	See Table 8.	2.3		4.5	V
V_{CHRDY}	Minimum voltage required on the storage element before enabling the LDO when coming from WAKE-UP MODE .	After cold start See Table 8.	2.25		4.45	V
V_{OVDIS}	Minimum voltage accepted on the storage element before switching to primary battery or entering SHUTDOWN MODE .	See Table 8.	2.2		4.4	V
I_Q	Quiescent current on BATT when the boost converter is not running.	$V_{BATT} = 3 V$; LDOs disabled.		400		nA
		$V_{BATT} = 3 V$; LDOs enabled.		600		nA
Low-Voltage LDO regulator						
V_{LV}^3	Output voltage of the low-voltage LDO.	See Table 8.	1.2		1.8	V
I_{LV}	Load current supplied by the low-voltage LDO.	$L_{BUCK} = 10 \mu H$.	0		20	mA
High-Voltage LDO regulator						
V_{HV}^4	Output voltage of the high-voltage LDO.	See Table 8.	1.8		$V_{OVDIS} - 0.3 V$	V
I_{HV}	Load current supplied by the high-voltage LDO.		0		80	mA

Table 5: Electrical characteristics (Part 1)

Symbol	Parameter	Condition	Min	Typ	Max	Unit
Timing						
$T_{MPPT,VOG}$	Time during which the AEM30940 stops pulling current on SRC to measure the harvester open circuit voltage (V_{OC}).			5.12		ms
$T_{MPPT,PERIOD}$	Period of the MPPT V_{OC} evaluations.			0.33		s
T_{CRIT}	Time before shutdown once STATUS[1] has been asserted (see Section 8.2.5 and Figure 5).		400	600	800	ms
Logic output pins						
STATUS[2:0]	Logic output levels on the status pins.	Logic HIGH (H).	$V_{BATT} - 0.1$	V_{BATT}	$V_{BATT} + 0.1$	V
		Logic LOW (L).	GND - 0.1	GND	GND + 0.1	V

Table 5: Electrical characteristics (Part 2)

1. Minimum V_{SRC} value for harvesting capabilities after coldstart.
2. To stay in **NORMAL MODE**, V_{BATT} minimum voltage must stay above V_{OVDIS} .
3. The variability of V_{LV} at 1 mA is 1% (typical and preliminary result from simulations).
4. The variability of V_{HV} at 1 mA is 1.3% (typical and preliminary result from simulations).

6. Recommended Operation Conditions

Symbol	Parameter	Min	Typ	Max	Unit
External components					
C_{SRC}	BUFSRC pin decoupling capacitor.	8	10	22	μF
C_{BOOST}	Output capacitor of the boost converter.	10	22		μF
L_{BOOST}	Inductor of the boost converter.	4	10		μH
C_{BUCK}	Output capacitor of the buck converter.	8	10		μF
L_{BUCK}	Inductor of the buck converter.	4	10	25	μH
C_{LV}	Low-voltage LDO regulator decoupling capacitor.	8	10	14	μF
C_{HV}	High-voltage LDO regulator decoupling capacitor.	8	10	14	μF
C_{BATT}	Optional - Capacitor connected on BATT if no storage element is connected (see Section 9.5 and Section 9.7).	LDOs disabled.	22		μF
		LDOs enabled.	150		μF
R_T	Optional - Sum of resistors for setting battery protection threshold voltages in custom mode. $R_T = R1 + R2 + R3 + R4$ (see Section 9.1).	1	10	100	$\text{M}\Omega$
R_V	Optional - Sum of resistors for setting the output voltage of the high-voltage LDO in custom mode. $R_V = R5 + R6$ (see Section 9.1).	1	10	40	$\text{M}\Omega$
R_{ZMPP}	Optional - Resistor for the ZMPPT configuration (see Section 9.4).	10		1M	Ω
R_P	Optional - Sum of resistors used to define the primary battery minimum voltage. $R_P = R7 + R8$ (see Section 9.3).	100		500	$\text{k}\Omega$
Logic input pins					
ENHV	Enabling pin for the high-voltage LDO.	Logic HIGH (H).	Connect to BUCK.		
		Logic LOW (L).	Connect to GND.		
ENLV	Enabling pin for the low-voltage LDO.	Logic HIGH (H).	Connect to BUCK or BOOST.		
		Logic LOW (L).	Connect to GND.		
CFG[2:0]	Configuration pins for the storage element protection threshold voltages (see Table 8).	Logic HIGH (H).	Connect to BUCK.		
		Logic LOW (L).	Connect to GND.		
SELMPP[1:0]	Configuration pins for the MPPT ratio (see Table 9).	Logic HIGH (H).	Connect to BUCK.		
		Logic LOW (L).	Connect to GND.		

Table 6: Recommended operating conditions

7. Functional Block Diagram

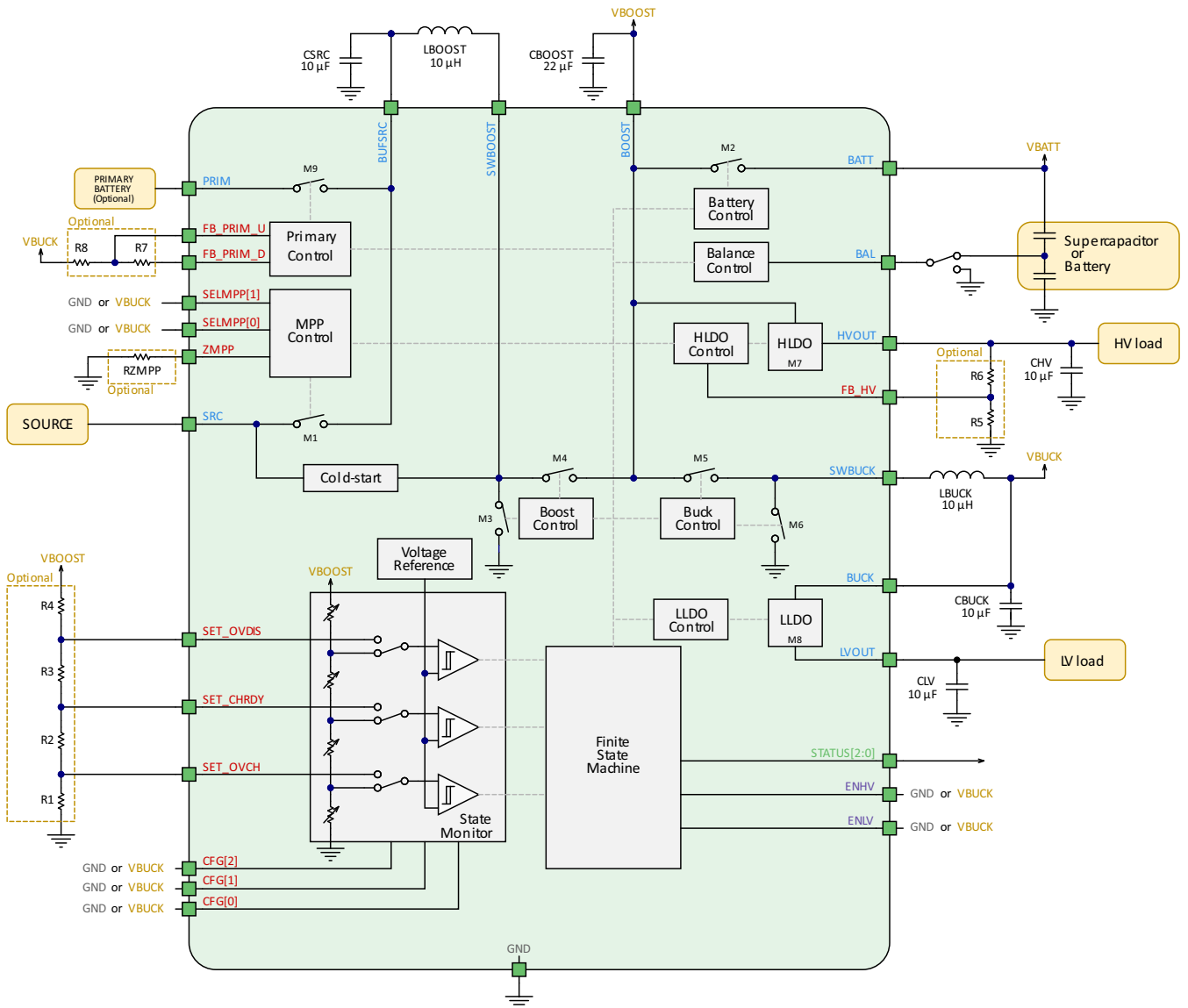


Figure 3: Functional block diagram

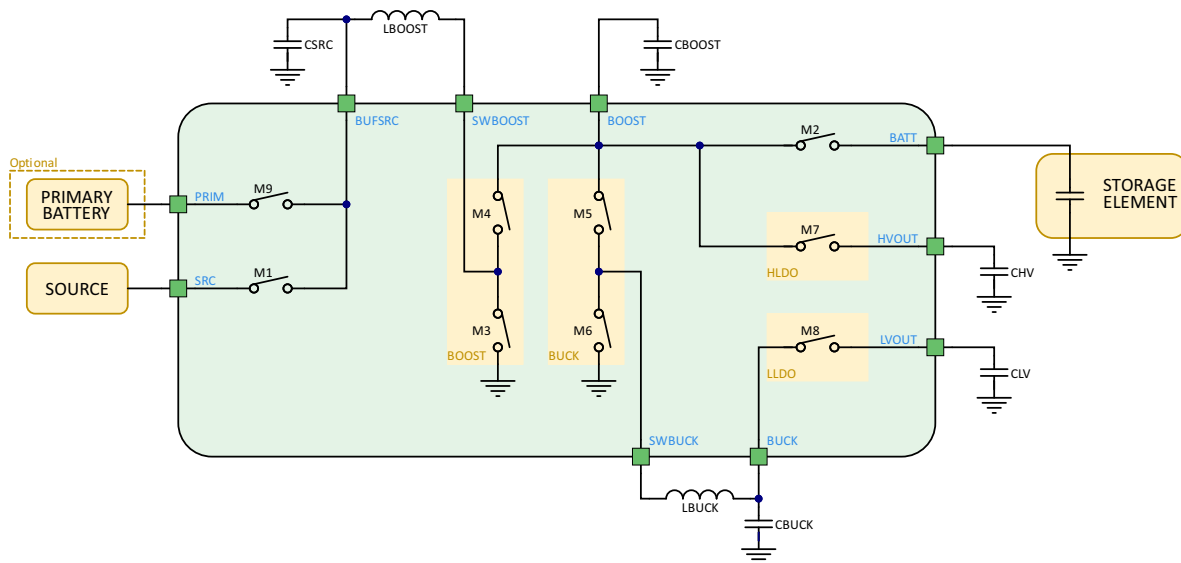


Figure 4: Simplified schematic view of the AEM30940

8. Theory of Operation

8.1. Power Converters

8.1.1. Boost Converter

The boost (or step-up) converter raises the voltage available at **BUFSRC** to a level suitable for charging the storage element, in the range of 2.2 V to 4.5 V, according to the system configuration. This voltage (V_{BOOST}) is available at the **BOOST** pin.

The switching transistors of the boost converter are M3 and M4, with the switching node available externally at **SWBOOST**. The reactive power components of this converter are the external inductor L_{BOOST} and the external capacitor C_{BOOST} .

The MPPT control circuit (see Section 8.4) periodically disconnects the source on **SRC** pin from the **BUFSRC** pin with the transistor M1 in order to measure the open-circuit voltage of the harvester on **SRC** and define the optimal **SRC** regulation voltage.

BUFSRC is decoupled by the capacitor C_{SRC} , which smooths the voltage against the current pulses induced by the boost converter.

The storage element is connected to the **BATT** pin. Its voltage is named V_{BATT} . This node is linked to **BOOST** through the transistor M2. In **NORMAL MODE** (see Section 8.2.2), this transistor effectively shorts the battery to the **BOOST** node ($V_{\text{BATT}} = V_{\text{BOOST}}$). When energy harvesting is occurring, the boost converter delivers a current that is shared between the battery and the LDOs. M2 is opened to disconnect the storage element when V_{BATT} reaches V_{OVDIS} . However, in such a scenario, the AEM30940 offers the possibility of connecting a primary battery to recharge V_{BATT} up to V_{CHRDY} . The transistor M9 connects **PRIM** to **BUFSRC** and the transistor M1 is opened to disconnect the **SRC** input pin as explained in the **PRIMARY BATTERY MODE** section.

More explanations about the different modes can be found in Section 8.2.

8.1.2. Buck Converter

The buck (or step-down) converter lowers the voltage from V_{BOOST} to a constant V_{BUCK} value of 2.2 V. This voltage is available at the **BUCK** pin. The switching transistors of the buck converter are M5 and M6, with the switching node available externally at **SWBUCK**. The reactive power components of the buck converter are the external inductor L_{BUCK} and the external capacitor C_{BUCK} .

8.1.3. LDO Outputs

Two Low Drop-Out linear regulators are available to supply loads at different operating voltages:

- Through M7, **BOOST** supplies the high-voltage LDO that powers its load through **HVOUT**. This regulator delivers a clean voltage named V_{HV} . When using the built-in configuration modes, an output voltage of 1.8 V, 2.5 V or 3.3 V can be selected. When using the custom configuration mode, V_{HV} is adjustable between 1.8 V and $V_{OVDIS} - 0.3$ V. The output is decoupled by the external capacitor C_{HV} .
- Through M8, V_{BUCK} supplies the low-voltage LDO that powers its load through **LVOUT**. This regulator delivers a clean voltage named V_{LV} of 1.2 V or 1.8 V. The output is decoupled by the external capacitor C_{LV} .

See Table 5 for **HVOUT** and **LVOUT** maximum current values (respectively I_{HV} and I_{LV}).

Both the high-voltage and the low-voltage outputs can be dynamically enabled or disabled respectively with the logic control pins **ENHV** and **ENLV** (see Table below).

ENLV	LVOUT	ENHV	HVOUT
L	Disabled	L	Disabled
H	Enabled	H	Enabled

Table 7: LDOs configurations

8.2. Operating Modes

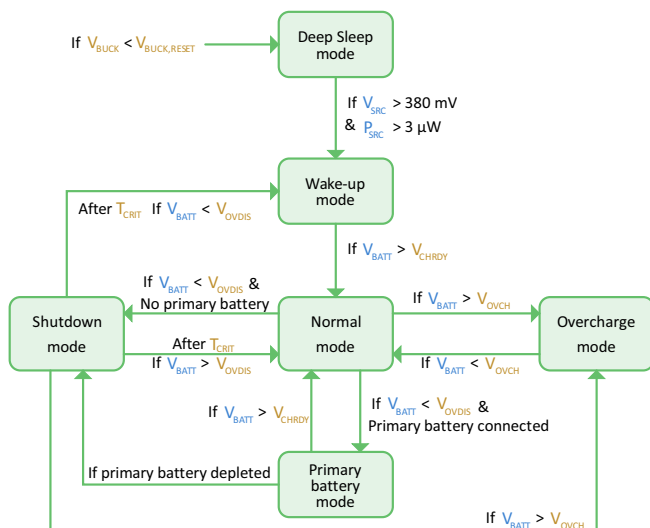


Figure 5: Diagram of the AEM30940 modes

8.2.1. Deep Sleep & Wake Up Modes

The **DEEP SLEEP MODE** is a state where all nodes are deeply discharged and there is no available energy to be harvested.

The AEM30940 enters **DEEP SLEEP MODE** if V_{BUCK} falls below $V_{BUCK,RESET}$ (1.8 V).

In this mode, as soon as the required cold-start voltage of 380 mV and the required power of 3 μ W becomes available on **SRC**, the **WAKE-UP MODE** is activated. For RF sources, the input power at the antenna is defined by the matching network and the associated rectifier (see Section 8.3). V_{BOOST} and V_{BUCK} rise up to a voltage of 2.2 V. V_{BOOST} then rises up to V_{OVCH} .

At this stage, both LDOs are internally disabled. Therefore, **STATUS[0]** is low as shown in Figure 11 and Figure 12.

When V_{BOOST} reaches V_{OVCH} , two scenarios are possible:

- In the first scenario, a supercapacitor or a capacitor having a voltage lower than V_{CHRDY} is connected to the **BATT** node (see Section 8.2.1.1).
- In the second scenario, a charged battery is connected to the **BATT** node (see Section 8.2.1.2).

8.2.1.1. Supercapacitor as a Storage Element

If the storage element is a supercapacitor, the storage element may need to be charged from 0V. The boost converter charges **BATT** from the input source and by modulating the conductance of M1 and M2. During the charge of the **BATT** node, both LDOs are disabled and **STATUS[0]** is set to low. When V_{BATT} reaches V_{CHRDY} , the circuit enters **NORMAL MODE**, **STATUS[0]** is asserted and the LDOs can be enabled by the user using **ENLV** and **ENHV** control pins as shown in Figure 11.

8.2.1.2. Battery as a Storage Element

If the storage element is a battery but its voltage is lower than V_{CHRDY} , the storage element first needs to be charged until it reaches V_{CHRDY} . This allows a safety margin to ensure that the storage element is able to provide the required power before enabling the outputs (LDOs).

Once V_{BATT} exceeds V_{CHRDY} , or if the battery was initially charged above V_{CHRDY} , the circuit enters **NORMAL MODE**. **STATUS[0]** is asserted and the LDOs can be dynamically enabled or disabled through **ENLV** and **ENHV** as shown in Figure 12.

8.2.2. Normal Mode

Once the AEM enters **NORMAL MODE**, it stays in this mode as long as the following condition is met:

$$V_{OVDIS} < V_{BATT} < V_{OVCH}$$

The AEM30940 will switch to another mode in the following cases:

- V_{BATT} increases above V_{OVCH} because the source provides more power than the load consumes. The circuit enters **OVERCHARGE MODE**, as explained in Section 8.2.3.
- V_{BATT} falls below V_{OVDIS} due to a lack of power from the source. In this case, either the circuit enters **SHUTDOWN MODE** as explained in Section 8.2.5, or, if a charged primary battery is connected on **PRIM**, the circuit enters **PRIMARY BATTERY MODE** as explained in Section 8.2.4.

8.2.3. Overcharge Mode

When V_{BATT} reaches V_{OVCH} , the battery charge is complete. The AEM maintains V_{BATT} around V_{OVCH} , with a hysteresis of a few mV as shown in Figure 13, to prevent damage to the storage element and to the internal circuitry. In this configuration, the boost converter is periodically activated to maintain V_{BATT} and the LDOs are available. Moreover, when the boost converter is not activated, the transistor M1 in Figure 4 is opened to prevent current from the source to the storage element when V_{SRC} is higher than V_{OVCH} .

8.2.4. Primary Battery Mode

When V_{BATT} drops below V_{OVDIS} , the circuit compares the voltage on **PRIM** with the voltage on **FB_PRIM_U** to determine whether a charged primary battery is connected on **PRIM**. The voltage on **FB_PRIM_U** is set thanks to two optional resistors as explained in Section 9.3.

If the following formula is true, the circuit considers the primary battery as available and the circuit enters **PRIMARY BATTERY MODE**.

$$\frac{V_{PRIM}}{4} > V_{FB_PRIM_U}$$

In that mode, transistor M1 is opened and the primary battery is connected to **BUFSRC** through transistor M9 to become the source of energy of the AEM30940. **STATUS[1]** is asserted as long as the chip is in **PRIMARY BATTERY MODE**.

The AEM remains in this mode until:

- V_{BATT} reaches V_{CHRDY} . At that point, the circuit enters **NORMAL MODE**.
- The primary battery is depleted (above formula becomes false). The circuit switches to **SHUTDOWN MODE**.

If no primary battery is used in the application, **PRIM**, **FB_PRIM_U** and **FB_PRIM_D** must be tied to GND.

8.2.5. Shutdown Mode

When V_{BATT} drops below V_{OVDIS} and no power is available from a primary battery, the circuit enters **SHUTDOWN MODE**, as shown in Figure 14, to prevent deep discharge that could damage the storage element and make the LDOs unstable. The circuit asserts **STATUS[1]** to warn the application that a shutdown may occur. Both LDO regulators remain enabled during T_{CRIT} (about 600 ms).

If no primary battery is used, this mechanism allows the application circuit, whether it is powered on **LVOUT** or **HVOUT**, to trigger an interrupt by the low to-high transition of **STATUS[1]**, and to take all appropriate actions before **LVOUT** and **HVOUT** are disabled.

After T_{CRIT} :

- If V_{BATT} has recovered above V_{OVDIS} , the AEM switches back to **NORMAL MODE**.
- If V_{BATT} has not recovered above V_{OVDIS} , the circuit enters **WAKE-UP MODE**. Both LDOs are disabled and **BATT** is disconnected from **BOOST** to avoid damaging the battery due to the over-discharge. From now on, the AEM must go through the wake-up procedure described in the Section 8.2.1.

If V_{BATT} reaches V_{OVCH} while in **SHUTDOWN MODE**, the AEM30940 switches directly to **OVERCHARGE MODE** without waiting the end of T_{CRIT} .

8.3. Matching Network and Rectifier

To connect AC sources to the AEM30940, an external rectifier is required as well as a matching network in the case of RF energy harvesting.

The goal of the matching network is to modify the impedance relationship between the RF source and the rectifier in order to optimize the power transfer over a frequency band and an input power range.

For RF applications, external high-frequency rectifiers as well as matching networks are available for the following RF bands:

- 828 MHz
- 915 MHz
- 2.4 GHz

Please contact e-peas for more information about matching network and rectifier designs and results.

8.4. Maximum Power Point Tracking

During **NORMAL MODE**, **SHUTDOWN MODE** and a part of **WAKE-UP MODE**, the boost converter is regulated thanks to an internal MPPT (Maximum Power Point Tracking) module. V_{MPP} is the voltage level of the MPP, and depends on the input power available at the source.

The MPPT module evaluates V_{MPP} as a constant fraction of the open-circuit voltage of the source V_{OC} . The ratio between V_{MPP} and V_{OC} can be configured with the **SELMPP[1:0]** pins.

The AEM30940 periodically measures V_{OC} by stopping to pull current from the source (**SRC** pin) during $T_{MPPT,VO}$ (5.12 ms) every $T_{MPPT,PERIOD}$ (0.33 s), thus letting the source rise to its open-circuit voltage. The source target voltage V_{MPP} is then redefined as a fraction of the previously measured V_{OC} . This way, the MPPT module adapts to the harvester variations due to varying ambient conditions. The behavior of the MPPT module is shown in Figure 6.

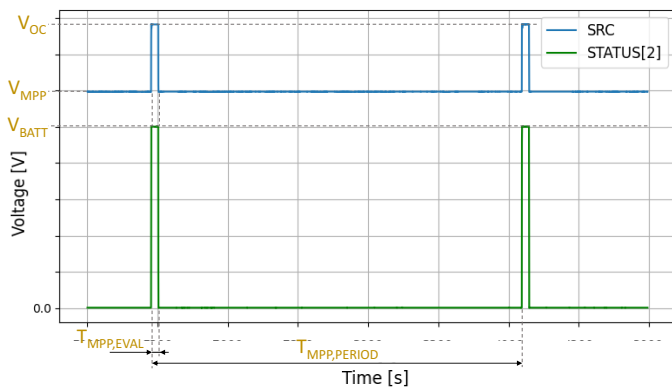


Figure 6: MPP evaluation behavior

With the exception of this sampling process, the source voltage V_{SRC} is continuously compared to V_{MPP} :

- When V_{SRC} exceeds V_{MPP} by a small hysteresis, the boost converter is switched on, extracting electric charges from the source, thus lowering its voltage.
- When V_{SRC} falls below V_{MPP} by a small hysteresis, the boost converter is switched off, allowing the harvester to accumulate new electric charges into C_{SRC} which voltage rises.

This way, the boost converter regulates its input voltage so that the electric current (or flow of electric charges) that enters the boost converter yields the best power transfer from the harvester under any ambient conditions. The AEM30940 supports any V_{MPP} level in the range from 50 mV to 4.5 V. It offers a choice of three values for the V_{MPP} / V_{OC} ratio through the configuration pins **SELMPP[1:0]** as shown in Table 9. It is also possible to regulate the source voltage by matching the input impedance of the BOOST converter with an impedance connected to the **ZMPP** terminal thanks to the **ZMPPT** feature, by setting **SELMPP[1:0]** to HH (see Section 9.4). The status of the MPPT controller is reported through one dedicated status pins (**STATUS[2]**). This status pin is asserted when a MPPT module periodic V_{OC} evaluation is being performed.

8.5. Storage Element Balancing Circuit for Dual-cell Supercapacitor

When using a dual-cell supercapacitor, it is necessary to keep both cells at similar voltages to avoid damage due to a potential over-voltage on one cell. This is ensured by the AEM30940 storage element balancing circuit.

If a battery, a capacitor or a single-cell supercapacitor is connected on **BATT**, **BAL** is connected to **GND** and the storage element balancing circuit is disabled.

If a dual-cell supercapacitor is connected on **BATT**, **BAL** is connected to the node between the two cells of the supercapacitor. The storage element balancing circuit compensates for any mismatch of the two cells that could overcharge one of both cells. It ensures that **BAL** remains close to $V_{BATT} / 2$.

9. System Configuration

9.1. Battery and LDOs Configuration

Configurations pins			Storage element threshold voltages			LDOs output voltages		Typical use	
CFG[2]	CFG[1]	CFG[0]	V _{OVCH}	V _{CHRDY}	V _{OVDIS}	V _{HV}	V _{LV}		
H	H	H	4.12 V	3.67 V	3.60 V	3.3 V	1.8 V	Li-ion battery	
H	H	L	4.12 V	4.04 V	3.60 V	3.3 V	1.8 V	Solid state battery	
H	L	H	4.12 V	3.67 V	3.01 V	2.5 V	1.8 V	Li-ion/NiMH battery	
H	L	L	2.70 V	2.30 V	2.20 V	1.8 V	1.2 V	Single-cell supercapacitor	
L	H	H	4.50 V	3.67 V	2.80 V	2.5 V	1.8 V	Dual-cell supercapacitor	
L	H	L	4.50 V	3.92 V	3.60 V	3.3 V	1.8 V	Dual-cell supercapacitor	
L	L	H	3.63 V	3.10 V	2.80 V	2.5 V	1.8 V	LiFePO4 battery	
L	L	L	Custom mode - Programmable through R1 to R6.				1.8 V		

Table 8: Usage of CFG[2:0]

Through three configuration pins (CFG[2:0]), the user can set a particular operating mode from a range that covers most application requirements, without any dedicated external component as shown in Table 8. The three threshold levels are defined as:

- V_{OVCH}: maximum voltage accepted on the storage element before disabling the boost converter.
- V_{CHRDY}: minimum voltage required on the storage element after a cold start before enabling the LDOs.
- V_{OVDIS}: minimum voltage accepted on the storage element before considering the storage element as depleted.

See Section 8 for more information about the purposes of these thresholds.

The two LDOs output voltages are called V_{HV} and V_{LV} for the high and low output voltages respectively. Seven combinations of these voltage levels are hard-wired and selectable through the CFG[2:0] configuration pins, covering most application cases. For other V_{OVCH}, V_{CHRDY}, V_{OVDIS} and V_{HV} voltages combinations, a custom mode is available. In this mode, the user can define those voltages with resistors, connected to the pins named SET_OVDIS, SET_CHRDY, SET_OVCH and FB_HV.

When the custom mode is not used, SET_OVDIS, SET_CHRDY and SET_OVCH pins must be connected to V_{BUCK} and FB_HV must be left floating.

9.1.1. Custom Mode

When CFG[2:0] are tied to GND, the custom mode is selected. All six resistors, shown in Figure 7, are used to configure the custom mode as follows:

V_{OVCH}, V_{CHRDY} and V_{OVDIS} are defined thanks to R1, R2, R3 and R4. The resistors are calculated as follows:

- $R_T = R1 + R2 + R3 + R4$
- $1M\Omega \leq R_T \leq 100M\Omega$
- $R1 = R_T \cdot \frac{1V}{V_{OVCH}}$
- $R2 = R_T \cdot \left(\frac{1V}{V_{CHRDY}} - \frac{1V}{V_{OVCH}} \right)$
- $R3 = R_T \cdot \left(\frac{1V}{V_{OVDIS}} - \frac{1V}{V_{CHRDY}} \right)$
- $R4 = R_T \cdot \left(1 - \frac{1V}{V_{OVDIS}} \right)$

V_{HV} is defined thanks to R5 and R6. The resistive divider is configured as follows:

- $R_V = R5 + R6$
- $1M\Omega \leq R_V \leq 40M\Omega$
- $R5 = R_V \cdot \frac{1V}{V_{HV}}$
- $R6 = R_V \cdot \left(1 - \frac{1V}{V_{HV}} \right)$

NOTE: If ENHV = L (HVOUT is disabled), R5 and R6 are not needed, FB_HV should be left floating.

The resistors should have high values to make the current flowing through them negligible. Moreover, the following constraints must be met to ensure the functionality of the chip:

- $V_{\text{CHRDY}} + 0.05\text{V} \leq V_{\text{OVCH}} \leq 4.5\text{V}$
- $V_{\text{OVDIS}} + 0.05\text{V} \leq V_{\text{CHRDY}} \leq V_{\text{OVCH}} - 0.05\text{V}$
- $2.2\text{V} \leq V_{\text{OVDIS}}$
- $V_{\text{HV}} \leq V_{\text{OVDIS}} - 0.3\text{V}$

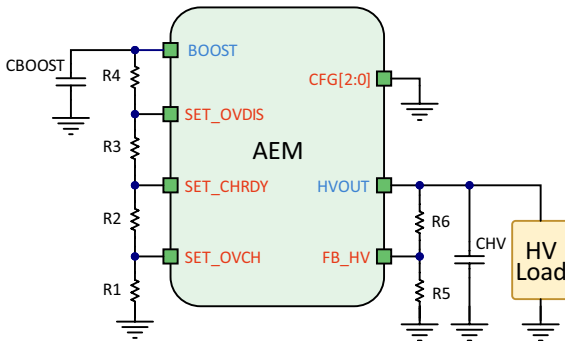


Figure 7: Custom configuration resistors

9.2. MPPT Configuration

Two dedicated configuration pins, **SELMPP[1:0]**, allow selecting the MPP tracking ratio based on the characteristic of the input power source.

SELMPP[1]	SELMPP[0]	$V_{\text{MPP}} / V_{\text{OC}}$
L	L	50%
L	H	65%
H	L	80%
H	H	ZMPP

Table 9: Usage of SELMPP[1:0]

9.3. Primary Battery Configuration

To use the primary battery, it is mandatory to determine $V_{\text{PRIM,MIN}}$, the voltage at which the primary battery is considered as fully depleted. The circuit uses a resistive divider between **BUCK** and **FB_PRIM_D** to define the voltage on **FB_PRIM_U** as $V_{\text{PRIM,MIN}}$ divided by 4. During $V_{\text{PRIM,MIN}}$ evaluation, the circuit connects **FB_PRIM_D** to GND.

When $V_{\text{PRIM,MIN}}$ is not evaluated, **FB_PRIM_D** is left floating to avoid quiescent current on the resistive divider. The resistors are calculated as follows:

- $R_p = R7 + R8$
- $100\text{k}\Omega \leq R_p \leq 500\text{k}\Omega$
- $R7 = \frac{V_{\text{PRIM,MIN}}}{4} \cdot R_p \cdot \frac{1}{2.2\text{V}}$
- $R8 = R_p - R7$

NOTE: **FB_PRIM_U**, **FB_PRIM_D** and **PRIM** must be tied to GND if no primary battery is used.

9.4. ZMPPT Configuration

Instead of working at a ratio of the open-circuit voltage, the AEM30940 can regulate the input impedance of the BOOST converter so that it matches a constant impedance connected to the **ZMPP** pin (R_{ZMPP}). In this case, the AEM30940 regulates V_{SRC} at a voltage equal to the product of the **ZMPP** impedance and the current available at the **SRC** input.

- $10\Omega \leq R_{\text{ZMPP}} \leq 1\text{M}\Omega$

9.5. No-battery Configuration

If the application does not use a storage element, the PCB must include a capacitor on the **BATT** pin. See Section 9.7 for C_{BATT} value.

The storage element may not be necessary in the following cases:

- If the harvested energy source is permanently available and covers the application purposes.
- If the application does not need to store energy when the harvested energy source is not available.

9.6. Supplying an Application Circuit with BUCK

It is possible to supply an application circuit directly from **BUCK**, with the benefit of high **BATT** to **BUCK** efficiency, provided that the following conditions are met:

- The application circuit can be supplied from a voltage in the 2.0 V - 2.5 V range (V_{BUCK} is typically 2.2 V with ripple, see Table 5).
- The sum of the following currents must be below the maximum I_{BUCK} value (see Table 5):
 - Current of the load connected to **BUCK**.
 - Current of the load connected to **LVOUT**.
- The application circuit on **BUCK** does not pull current during the AEM30940 cold start.

To satisfy the last condition, the following circuit may be implemented:

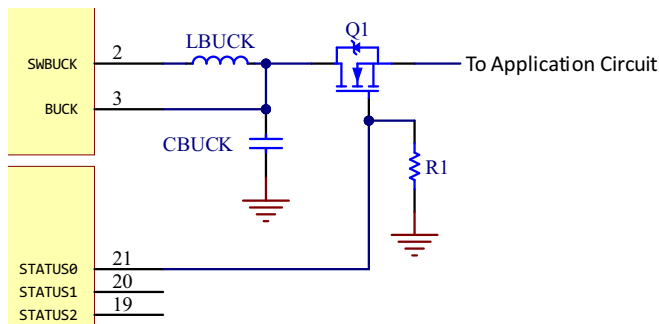


Figure 8: Schematic for supplying an application circuit with BUCK

Q1 is a N-MOSFET, whose gate is driven by **STATUS[0]** with R1 as a pull-down resistor. When the AEM30940 is in **DEEP SLEEP MODE** or in **WAKE-UP MODE**, **STATUS[0]** is LOW (see Section 8.2), ensuring that Q1 is non-conducting, and thus that the application circuit is not supplied.

When the AEM30940 switches from **WAKE-UP MODE** to **NORMAL MODE**, **STATUS[0]** is HIGH, making Q1 conducting. The application circuit is then supplied by **BUCK**, and remains so when the AEM30940 is in **NORMAL MODE**, **OVERCHARGE MODE**, **PRIMARY BATTERY MODE** and **SHUTDOWN MODE**.

Q1 must be chosen as follows:

- Low Gate-Source Leakage I_{GSS} .
- Low Zero Gate Voltage Drain Current I_{DSS} .
- Drain-Source On-State Resistance $R_{DS(on)}$ low enough to supply application circuit with an acceptable voltage drop.
- V_{GS} maximum voltage must be above V_{OVCH} (**STATUS[0]** HIGH voltage is V_{BOOST}).
- Maximum gate-source threshold voltage $V_{GS(th),MAX}$ matches the following, with $V_{BUCK,MAX}$ being V_{BUCK} maximum value stated in Table 5:

$$V_{GS(th),MAX} < V_{OVDIS} - V_{BUCK,MAX}$$

9.7. Storage Element Information

The energy storage element of the AEM30940 can be a rechargeable battery, a supercapacitor or a large capacitor. It should be chosen so that its voltage does not fall below V_{OVDIS} even during occasional peaks of the load current. If the internal resistance of the storage element cannot sustain this voltage limit, it is advisable to buffer the battery by decoupling it with a capacitor.

The **BATT** pin, connecting the storage element, must never be left floating. If the application expects a disconnection of the battery (e.g., because of a user removable connector), the PCB must include a capacitor:

- If the LDOs are used, the minimum needed capacitor value is 150 μ F.
- If the LDOs are not used, the minimum needed capacitor value is 22 μ F.

The leakage current of the storage element should be small as leakage currents directly impact the quiescent current of the subsystem.

9.8. External Inductors Information

The AEM30940 operates with two standard miniature inductors. Switching frequency must be at least 10 MHz for both. Low equivalent series resistance (ESR) favors the power conversion efficiency of the boost and buck converters.

L_{BOOST}

The AEM30940 circuit is typically implemented with one of the following values on L_{BOOST} :

- 10 μ H (peak current min. 250 mA) allows higher current from **SRC** to **BATT**.
- 22 μ H (peak current min. 115 mA) allows better efficiencies, especially at low **SRC** voltages.

L_{BUCK}

The buck inductor L_{BUCK} must sustain a peak current of at least 50 mA. The recommended value is 10 μ H.

9.9. External Capacitors Information

The AEM30940 operates with:

- Four identical standard miniature ceramic capacitors of 10 μF .
- One miniature ceramic capacitor of 22 μF .

The leakage current of the capacitors should be small as leakage currents directly impact the quiescent current of the subsystem.

C_{SRC}

This capacitor acts as an energy buffer at the input of the boost converter. It prevents large voltage fluctuations of V_{SRC} when the boost converter is switching. The recommended value is 10 μF +/- 20%.

C_{BUCK}

This capacitor acts as an energy buffer for the buck converter. It also reduces the voltage ripple induced by the current pulses inherent to the switching mode of the converter. The recommended value is 10 μF +/- 20%.

C_{BOOST}

This capacitor acts as an energy buffer for the boost converter. It also reduces the voltage ripple induced by the current pulses inherent to the switching mode of the converter. The recommended value is 22 μF +/- 20%.

$C_{\text{HV}} / C_{\text{LV}}$

These capacitors ensure a high-efficiency load regulation of the high-voltage and low-voltage LDO regulators. Closed-loop stability requires the value to be in the range of 8 μF to 14 μF .

10. Typical Application Circuits

10.1. Example Circuit 1

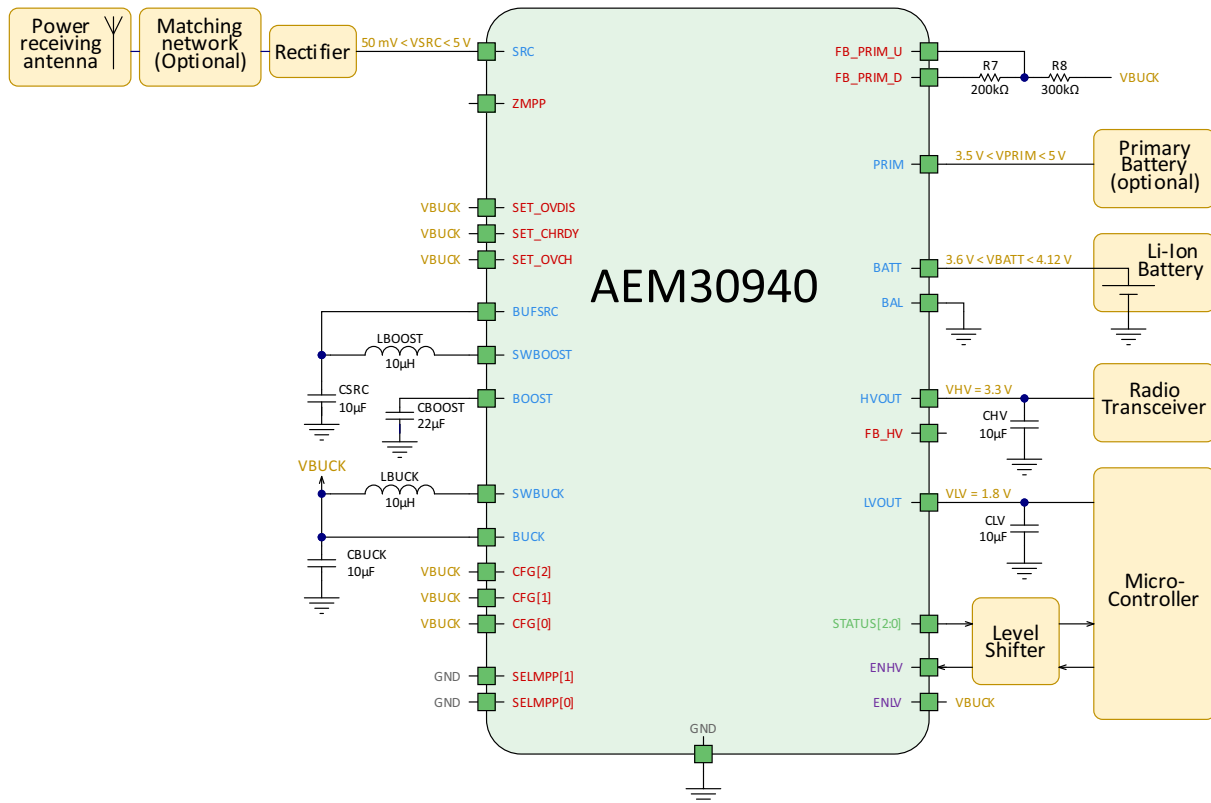


Figure 9: Typical application circuit 1

The energy source is a RF source and the storage element is a standard Li-ion battery cell. The radio communication is supplied by **HVOUT** set at 3.3 V. The micro-controller that controls the application is supplied by **LVOUT** set at 1.8 V.

This circuit uses a pre-defined AEM configuration, typical of systems that use standard components for radio and energy storage.

The operating mode pins are set as follows:

- **CFG[2:0]** = HHH (all to **V_{BUCK}**)

Referring to Table 8, in this mode, the threshold voltages are:

- **V_{OVCH}** = 4.12 V
- **V_{CHRDY}** = 3.67 V
- **V_{OVDIS}** = 3.60 V

Moreover, the LDOs output voltages are:

- **V_{HV}** = 3.3 V
- **V_{LV}** = 1.8 V

A primary battery is also connected as a back-up solution. The minimal level allowed on this battery is set at 3.5 V. Following equations from Section 9.3:

- $R_p = 0.5\text{M}\Omega$
- $R_7 = \frac{3.5\text{V}}{4} \cdot 0.5\text{M}\Omega \cdot \frac{1}{2.2\text{V}} = 200\text{k}\Omega$
- $R_8 = 0.5\text{M}\Omega - 200\text{k}\Omega = 300\text{k}\Omega$

The MPP configuration pins **SELMPP[1:0]** are tied to GND (logic LOW), thus, selecting an MPP ratio of 50%.

The **LVOUT** LDO output is enabled by tying **ENLV** to **BUCK**.

The micro-controller is supplied by **LVOUT**, that is enabled when **V_{BATT}** and **V_{BOOST}** voltage rise above **V_{CHRDY}**.

The application software can enable or disable the radio transceiver supply with a GPIO connected to **ENHV**.

10.2. Example Circuit 2

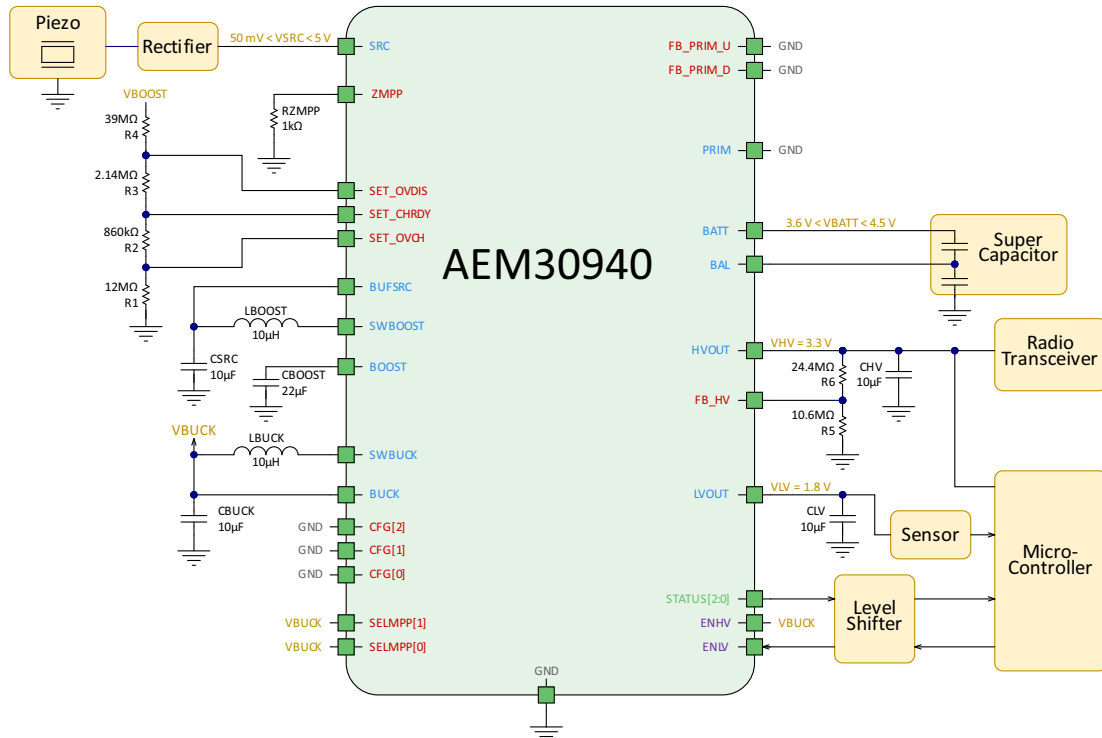


Figure 10: Typical application circuit 2

The energy source is a piezo source and the storage element is a dual-cell supercapacitor. Please note that the supercapacitor might be completely depleted during the cold start.

Moreover, **BAL** is connected to the dual-cell supercapacitor to compensate for any mismatch between the two cells and, in that way, protect the supercapacitor.

A micro-controller acts as the application master. The operating mode pins are set as follows:

- **CFG[2:0]** = LLL (all to GND)

The storage element voltages are set as follows with a custom configuration:

- $V_{OVCH} = 4.5\text{ V}$
- $V_{CHRDY} = 4.2\text{ V}$
- $V_{OVDIS} = 3.6\text{ V}$

R_T is set to 54 MΩ. R1, R2, R3 and R4 values are computed from the equations in Section 9.1.1:

- $R1 = 54\text{ M}\Omega \cdot \frac{1\text{ V}}{4.5\text{ V}} = 12\text{ M}\Omega$
- $R2 = 54\text{ M}\Omega \cdot \left(\frac{1\text{ V}}{4.2\text{ V}} - \frac{1\text{ V}}{4.5\text{ V}} \right) = 860\text{ k}\Omega$
- $R3 = 54\text{ M}\Omega \cdot \left(\frac{1\text{ V}}{3.5\text{ V}} - \frac{1\text{ V}}{4.2\text{ V}} \right) = 2.14\text{ M}\Omega$
- $R4 = 54\text{ M}\Omega \cdot \left(1 - \frac{1\text{ V}}{3.5\text{ V}} \right) = 39\text{ M}\Omega$

The LDO voltages are set as follows:

- $V_{HV} = 3.3\text{ V}$
- $V_{LV} = 1.8\text{ V}$

Enabling and disabling **LVOUT** is controlled by the application circuit with a micro-controller GPIO connected to **ENLV**.

ENHV is tied to **BUCK** so that **HVOUT** is always on.

R_V is set to 35 MΩ. R5 and R6 are determined by applying the equations found in Section 9.1:

- $R5 = 35\text{ M}\Omega \cdot \frac{1\text{ V}}{3.3\text{ V}} = 10.6\text{ M}\Omega$
- $R6 = 35\text{ M}\Omega \cdot \left(1 - \frac{1\text{ V}}{3.3\text{ V}} \right) = 24.4\text{ M}\Omega$

The micro-controller is supplied by **HVOUT**, which is enabled when V_{BATT} and V_{BOOST} voltages rise above V_{CHRDY} .

The MPP configuration pins **SELMPP[1:0]** are tied to **BUCK** (logic HIGH), thus, selecting the **ZMPPT** configuration to match a 1-kΩ impedance.

No primary battery is connected: **PRIM**, **FB_PRIM_U** and **FB_PRIM_D** pins are tied to GND.

11. Circuit Behavior

11.1. Cold-start Behavior

11.1.1. (Super)capacitor as a Storage Element

The following figure shows the AEM30940 behavior with a capacitor connected to **BATT** and the following settings:

- **CFG[2:0]** = LHH
- **SELMPP[1:0]** = HL (80%)
- **C_{BATT}** = 4.85 mF
- **SRC**: 1 mA current source with 3 V voltage compliance
- **ENHV** = **ENLV** = H
- 22 kΩ resistive load on **LVOU**T
- 2 kΩ resistive load on **HVOU**T

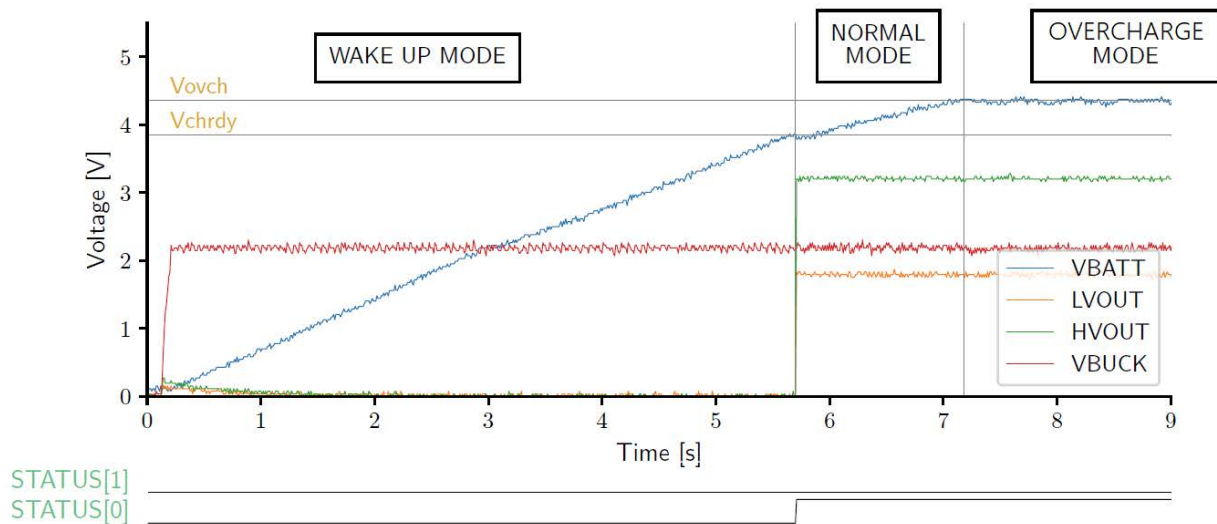


Figure 11: Cold start with a capacitor connected to BATT

11.1.2. Battery as a Storage Element

The following figure shows the AEM30940 behavior with a pre-charged capacitor (acting as a battery) connected to **BATT** and the following settings:

- **CFG[2:0]** = LHH
- **SELMPP[1:0]** = HL (80%)
- **C_{BATT}** = 4.85 mF
- **SRC**: 1 mA current source with 3 V voltage compliance
- **ENHV** = **ENLV** = H
- 22 kΩ resistive load on **LVOU**T
- 2 kΩ resistive load on **HVOU**T

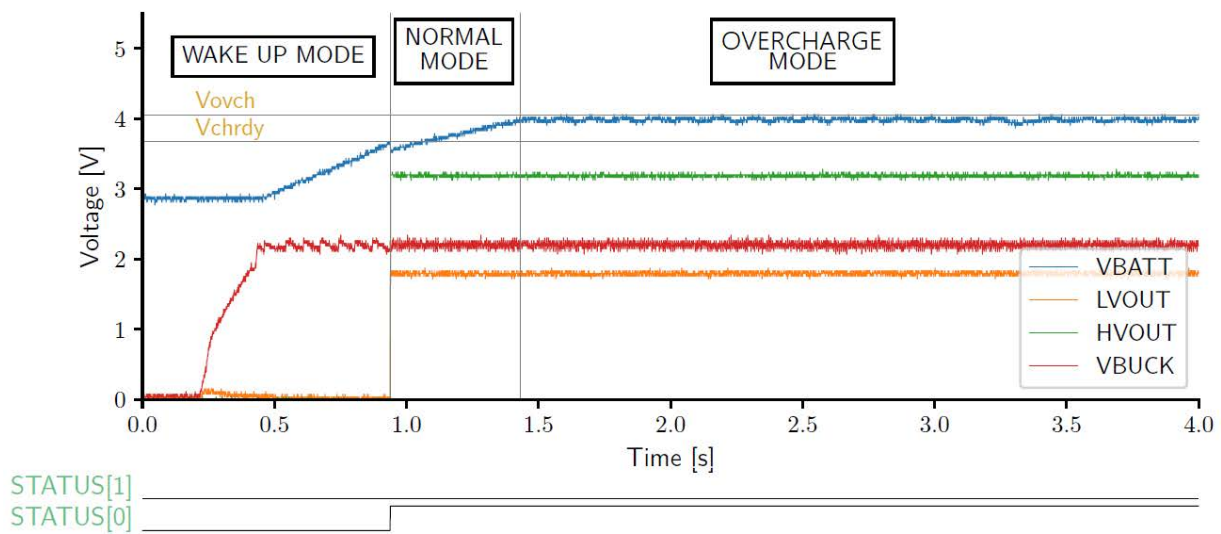
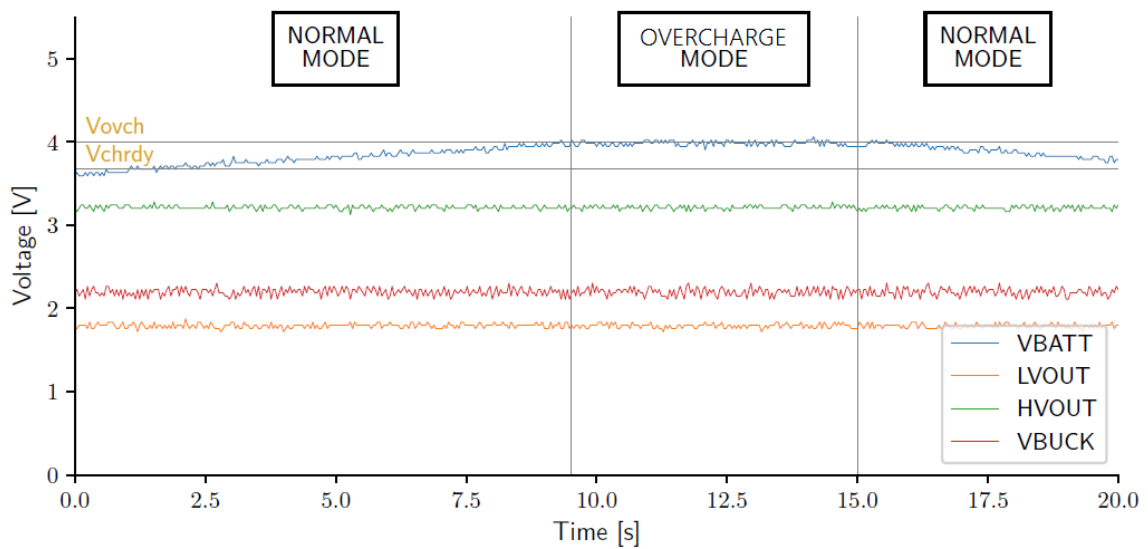


Figure 12: Cold start with a battery connected to BATT

11.2. Overcharge Mode Behavior

The following figure shows the AEM30940 behavior in **OVERCHARGE MODE** with the following settings:

- **CFG[2:0]** = HHH
- **SELMPP[1:0]** = HL (80%)
- **C_{BATT}** = 4.85 mF
- **SRC**: 1 mA current source with 3 V voltage compliance
- **ENHV** = **ENLV** = H
- 22 kΩ resistive load on **LVOUT**
- 2 kΩ resistive load on **HVOUT**



STATUS[1]

STATUS[0]

Figure 13: Overcharge mode

11.3. Shutdown Mode Behavior

The following figure shows the AEM30940 behavior in **SHUTDOWN MODE** with the following settings:

- **CFG[2:0]** = LHL
- **SELMPP[1:0]** = HL (80%)
- **C_{BATT}** = 4.85 mF
- **SRC**: left floating to let the storage element on **BATT** discharge
- **ENHV** = **ENLV** = H
- 22 kΩ resistive load on **LVOUT**
- 22 kΩ resistive load on **HVOUT**
- **PRIM**, **FB_PRIM_U** and **FB_PRIM_D** connected to GND (no primary battery)

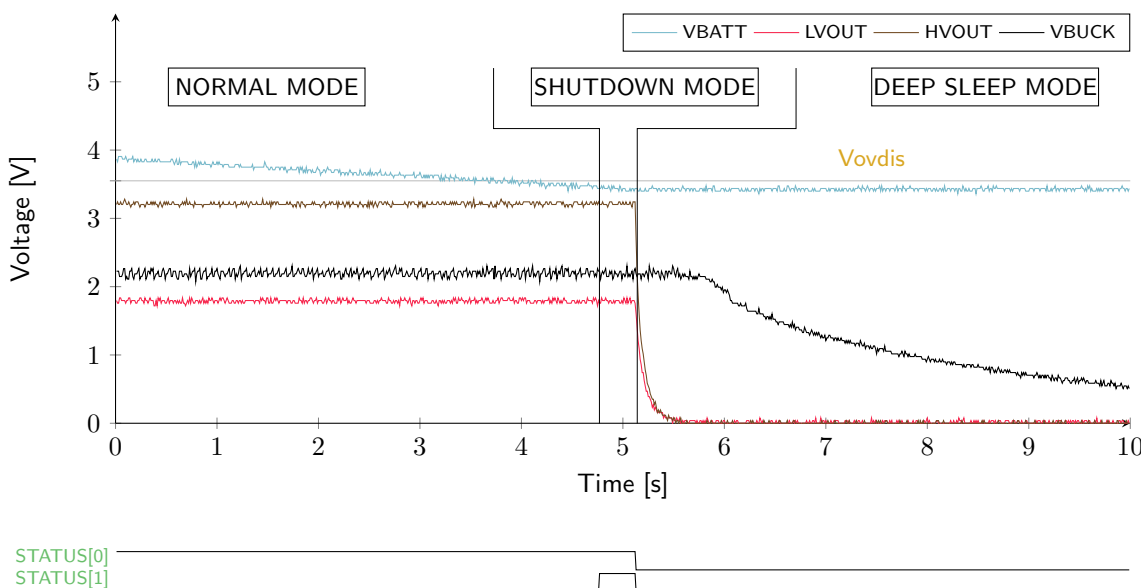
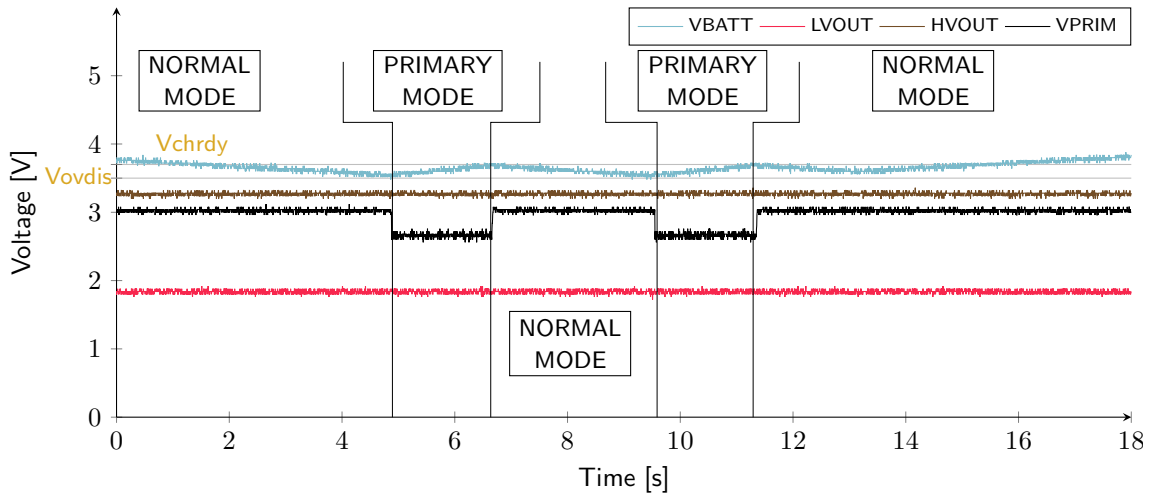


Figure 14: Shutdown mode (without primary battery)

11.4. Primary Battery Mode Behavior

The following figure shows the AEM30940 behavior in **PRIMARY BATTERY MODE** with the following settings:

- **CFG[2:0]** = HHH
- **SELMPP[1:0]** = HL (80%)
- **C_{BATT}** = 4.85 mF
- **SRC**: left floating to let the storage element on **BATT** discharge
- **ENHV** = **ENLV** = H
- 22 kΩ resistive load on **LVOUT**
- 22 kΩ resistive load on **HVOUT**
- **PRIM**: 3 V voltage source with 1 mA current compliance
- R7 = 68 kΩ
- R8 = 330 kΩ



STATUS[0] _____ 1
 STATUS[1] _____

Figure 15: Switching to primary battery when battery is overdischarged

12. Performance Data

12.1. BOOST Conversion Efficiency for LBOOST = 10 μ H

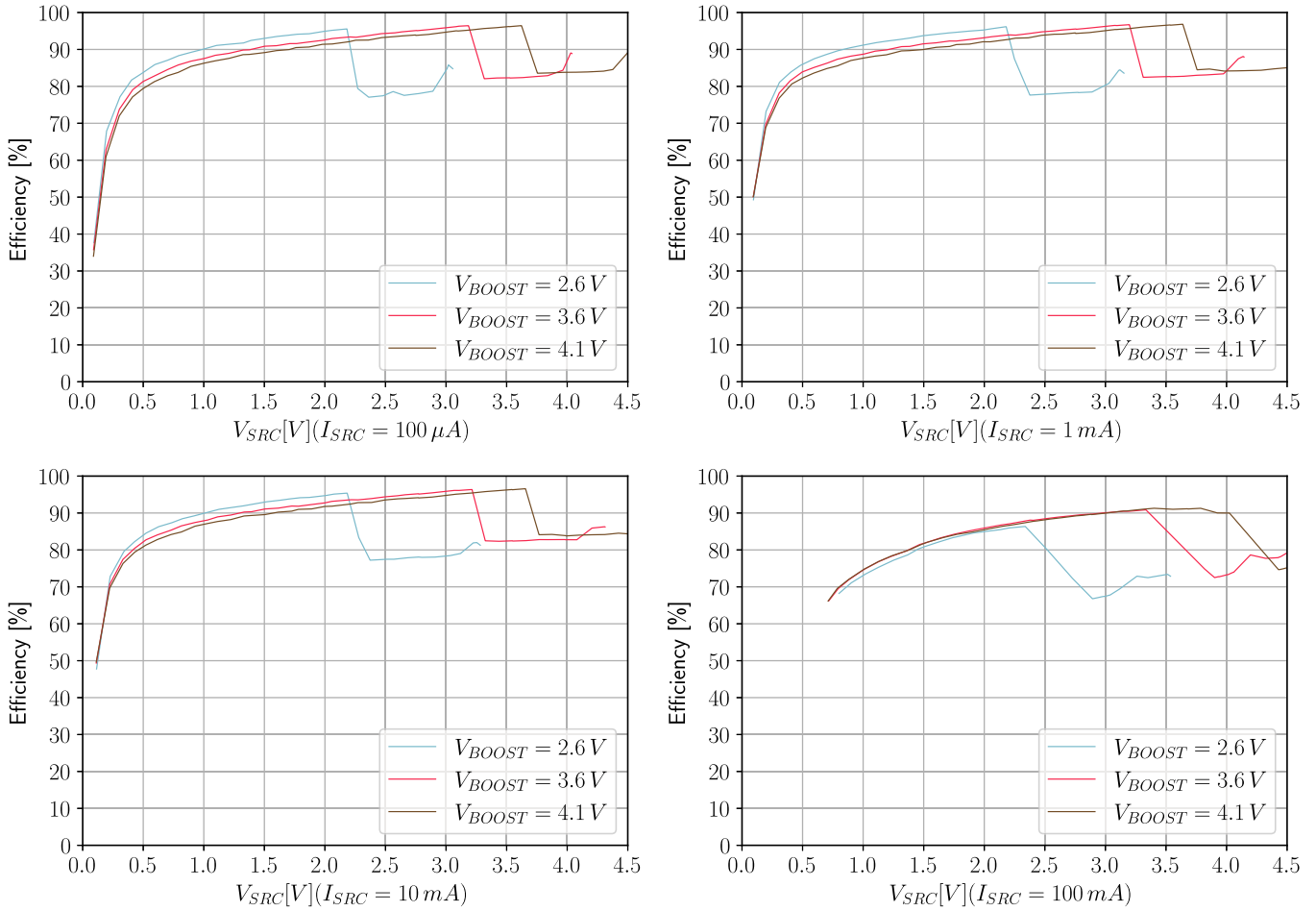


Figure 16: Boost efficiency for I_{src} : 100 μ A, 1mA, 10mA and 100mA (AEM30940 LBOOST = 10 μ H)

12.2. BOOST Conversion Efficiency for LBOOST = 22 μ H

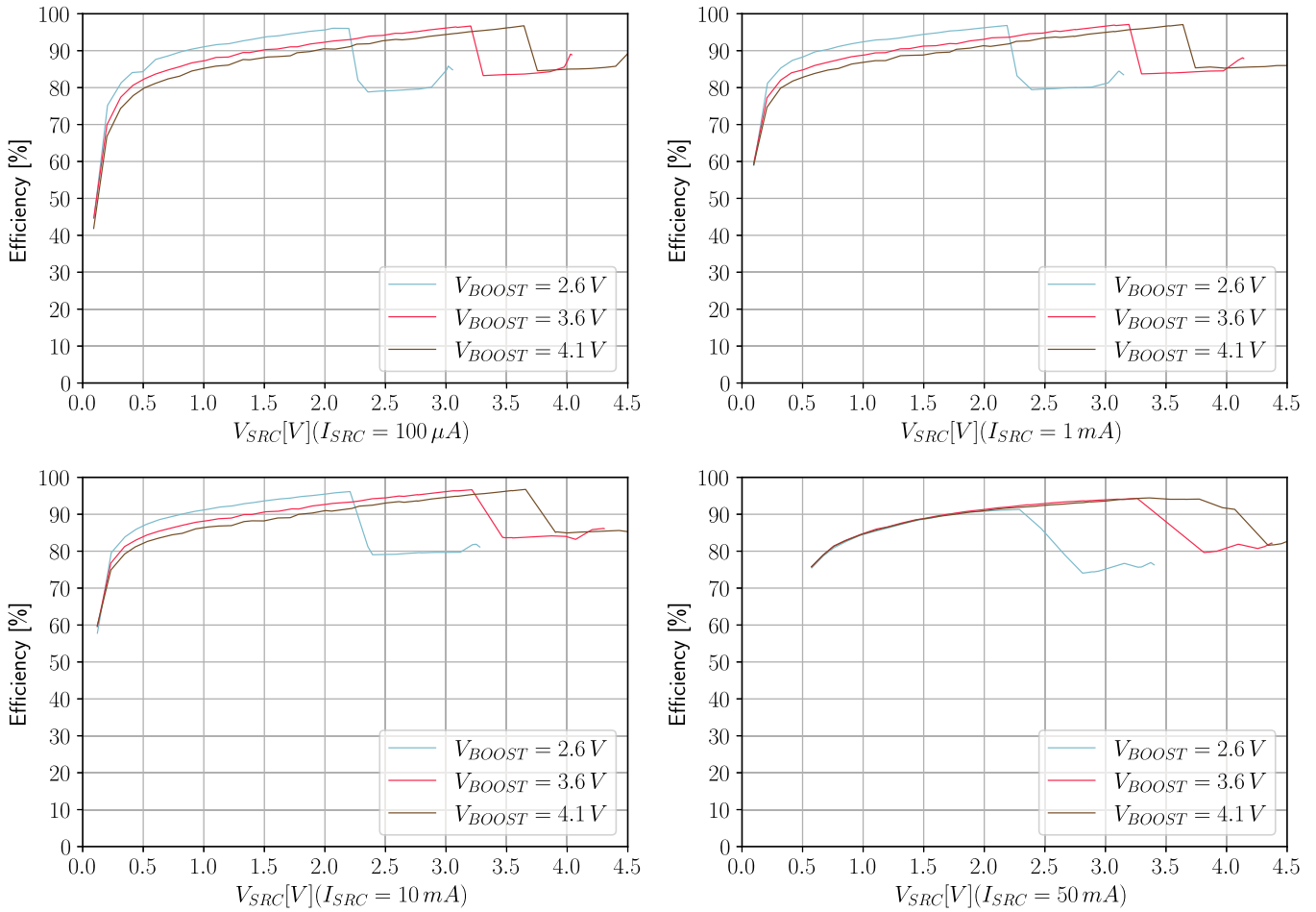


Figure 17: Boost efficiency for I_{src} : 100 μ A, 1mA, 10mA and 50mA (AEM30940 LBOOST = 22 μ H)

12.3. BUCK Conversion Efficiency

The following graph shows the buck converter efficiency from BATT to BUCK with the AEM30940 quiescent current I_Q subtracted.

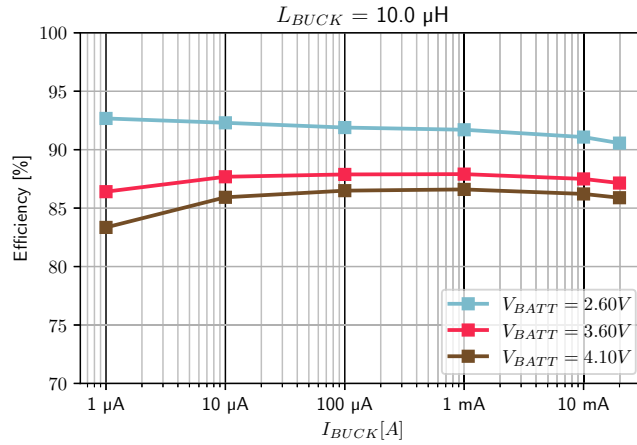


Figure 18: Buck Efficiency ($L_{BUCK} = 10 \mu H$)

12.4. Quiescent Current

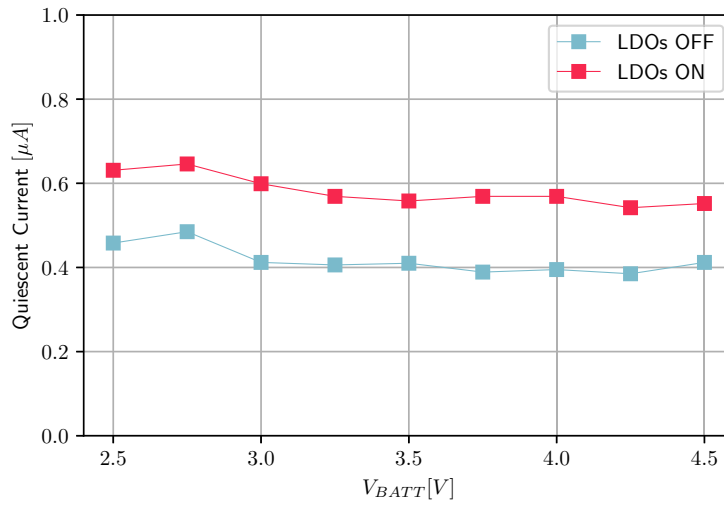


Figure 19: Quiescent current with LDOs on and off



12.5. High-voltage LDO Regulation

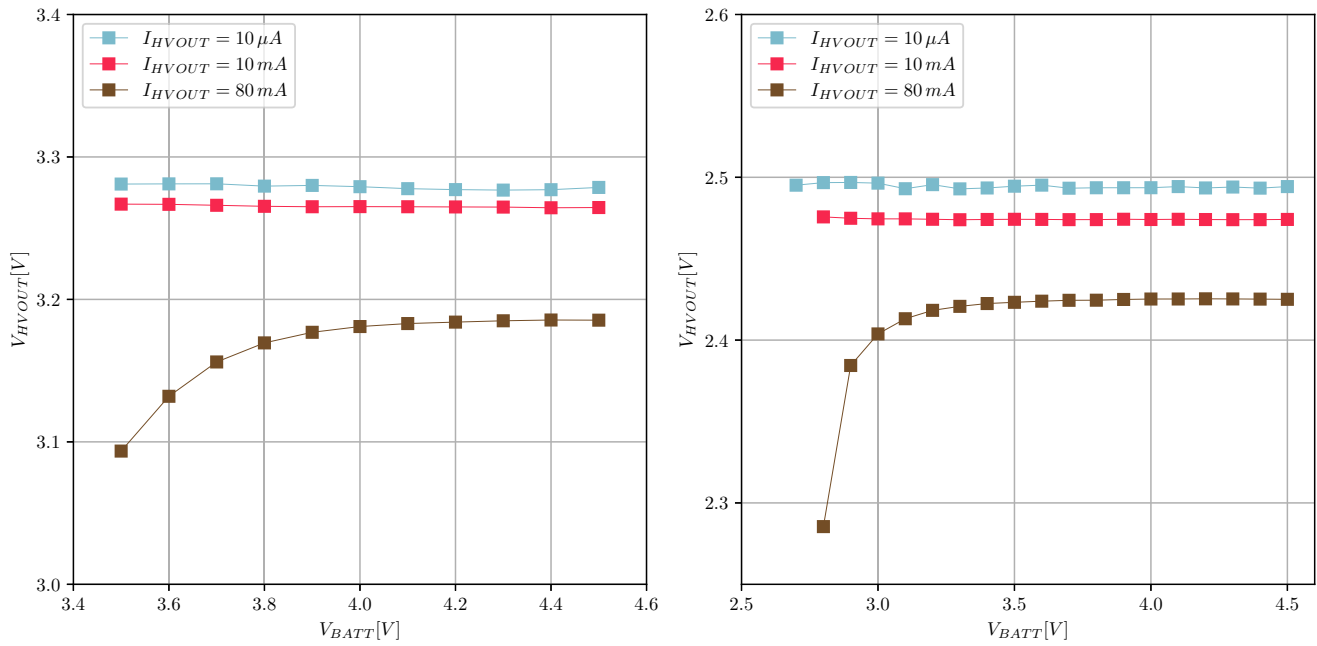


Figure 20: HVOUT at 3.3 V and 2.5 V

12.6. Low-voltage LDO Regulation

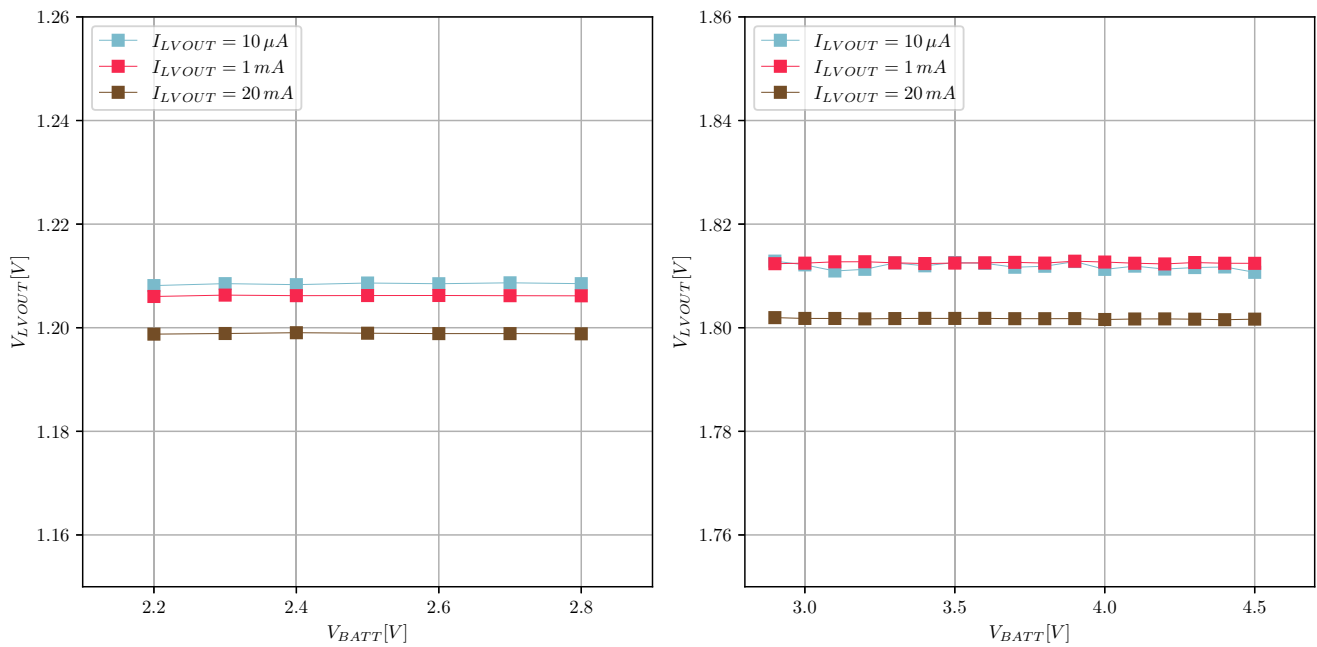


Figure 21: LVOUT at 1.2 V and 1.8 V

12.7. High-voltage LDO Efficiency

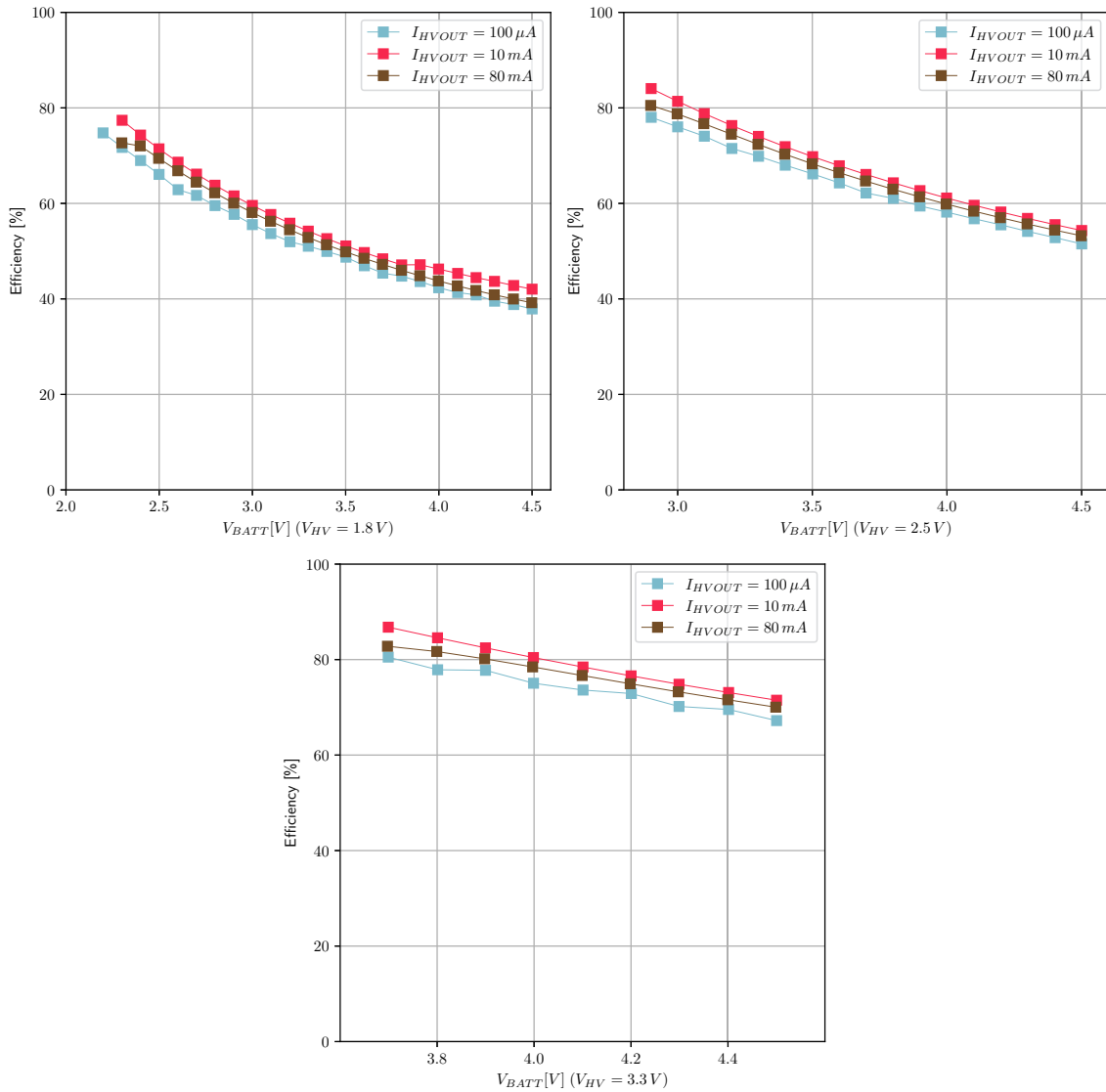


Figure 22: HVOUT efficiency at 1.8V, 2.5V and 3.3 V

The theoretical efficiency of an LDO can be calculated as V_{out} / V_{in} if quiescent current can be neglected with regards to the output current. For the high-voltage LDO, the theoretical efficiency is equal to V_{HV} / V_{BATT} .

12.8. Low-voltage LDO Efficiency

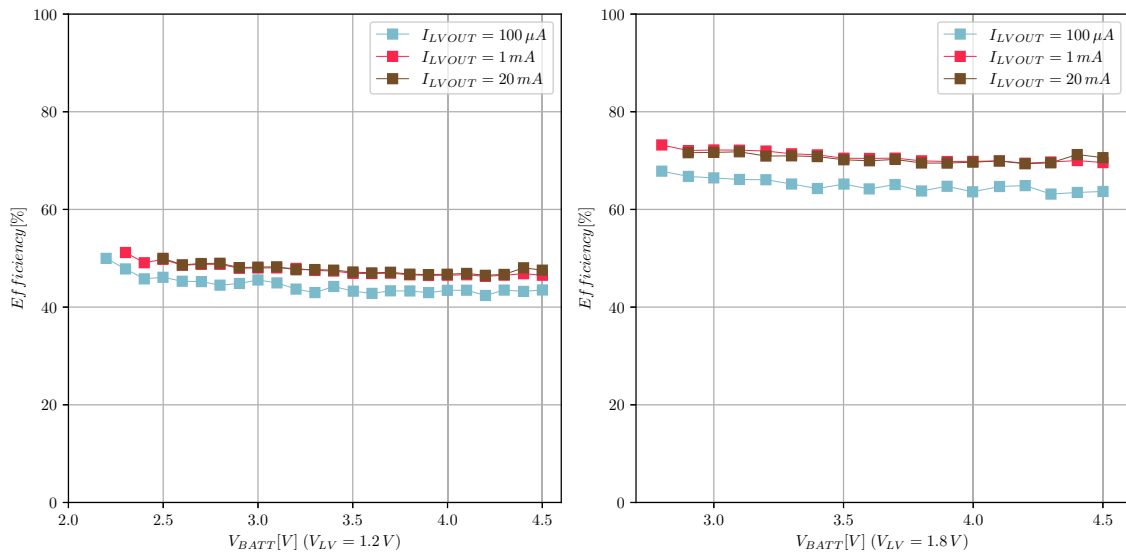


Figure 23: Efficiency of buck cascaded with LVOUT at 1.2 V and 1.8 V

The theoretical efficiency of an LDO can be calculated as V_{LV} / V_{BUCK} . Starting from the battery, the efficiency of the buck converter (η_{BUCK}) has to be taken into account (see Figure 4).

The efficiency between V_{BATT} and V_{LV} is therefore equal to:

$$\eta_{BUCK} \cdot \frac{V_{LV}}{V_{BUCK}}$$

13. Schematic

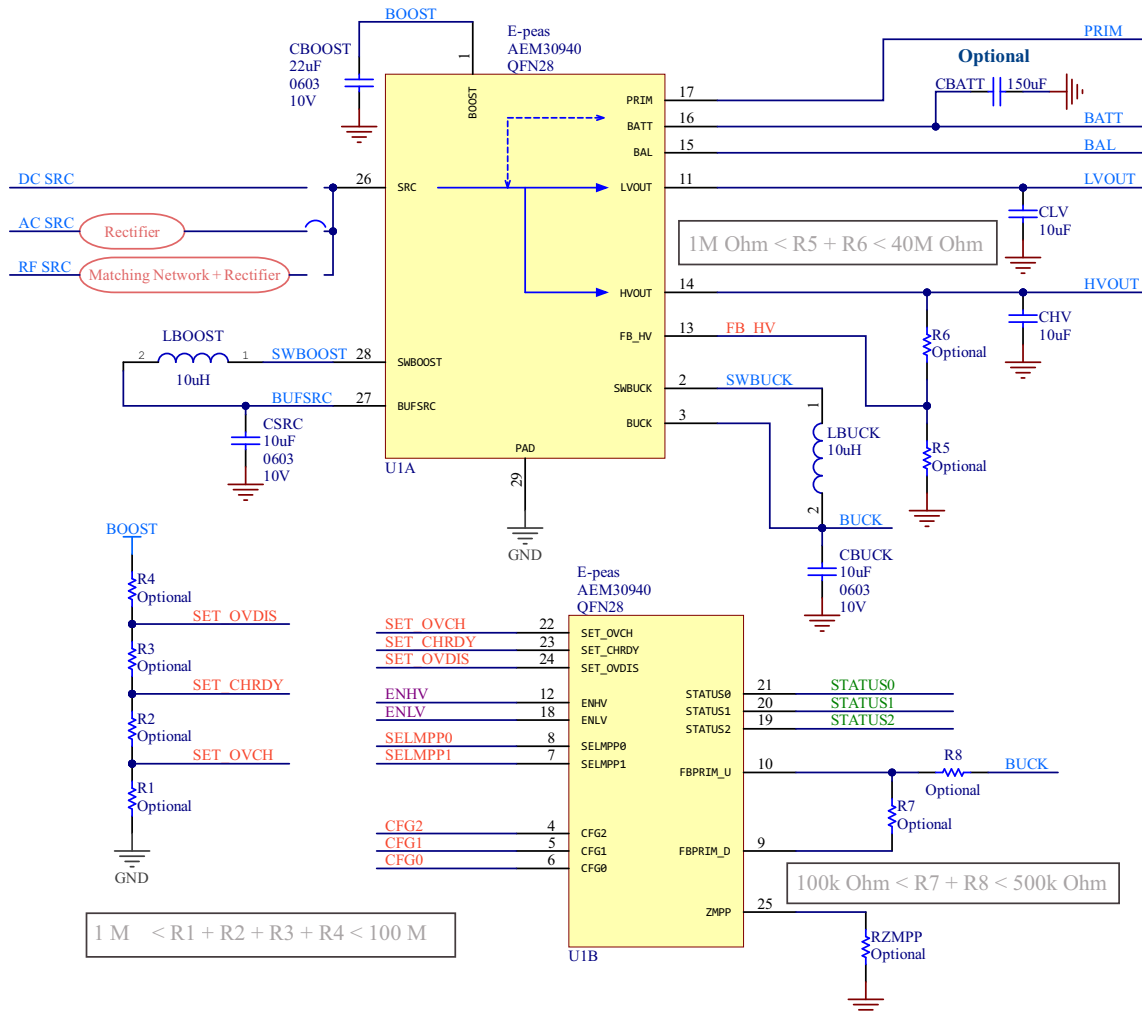


Figure 24: Schematic example

Designator	Description	Quantity	Manufacturer	Part Number
U1	AEM30940	1	e-peas	order at sales@e-peas.com
L _{BOOST}	Power Inductor 10 μH - 0,90 A - LPS4018	1	Coilcraft	LPS4018-103MR
L _{BOOST} (alt.)	Power Inductor 10 μH - 0,84 A - 3015	1	Würth	744 040 321 00
L _{BOOST} (alt.)	Power Inductor 22 μH - 0,65 A - LPS4018	1	Coilcraft	LPS4018-223MR
C _{BOOST}	Ceramic Cap 22 μF, 10 V, 20%, X5R, 0603	1	Murata	GRM188R61A226ME15D
L _{BUCK}	Power Inductor 10 μH - 0,25 A - 0603	1	TDK	MLZ1608M100WT
C _{BUCK}	Ceramic Cap 10 μF, 10 V, 20%, X5R, 0603	1	TDK	C1608X5R1A106M080AC
C _{SRC}	Ceramic Cap 10 μF, 10 V, 20%, X5R, 0603	1	TDK	C1608X5R1A106M080AC
C _{HV}	Ceramic Cap 10 μF, 25 V, 10%, X7S, 0805	1	TDK	C2012X7S1E106K125AE
C _{LV}	Ceramic Cap 10 μF, 10 V, 20%, X5R, 0603	1	TDK	C1608X5R1A106M080AC
C _{BATT}	Ceramic Cap 150 μF, 6.3 V, 20%, X5R, 1206	1	TDK	GRM31CR60J157ME11L

Table 10: BOM example for AEM30940 and its required passive components

14. Layout

14.1. Guidelines

Good layout practices are mandatory in order to obtain good AEM30940 stability, best efficiency and avoid EMI problems.

The following list, while not exhaustive, shows the main attention points when routing a PCB with the AEM30940:

- The switching nodes (**BUFSRC**, **SWBOOST**, **SWBUCK** and **BUCK**) must be kept as short as possible, with minimal track resistance and minimal track capacitance. Low resistance is obtained by keeping track length as short as possible and track width as large as possible between these switching nodes and the AEM30940 pins. Minimal capacitance is obtained by maintaining a large distance between the switching nodes and other signals. We recommend removing the ground plane, the power plane and the bottom layer ground pour under **L_{BOOST}** and **L_{BUCK}** footprints, as well as adding distance between **BUFSRC/SWBOOST** and the top ground pour, as shown in Figure 25.
- The decoupling capacitors (**C_{BOOST}** - **C_{BUCK}** - **C_{SRC}** - **C_{HV}** - **C_{LV}** - **C_{BATT}**) must be placed as close as possible to the AEM30940, with direct connection and minimum track resistance for the corresponding power nodes (**BOOST**, **BUCK**, **BUFSRC**, **HVOUT**, **LVOUT** and **BATT**).
- The **GND** return path between the decoupling capacitors and the AEM30940 thermal pad, which is the AEM30940 main **GND** connection, must be as direct and short as possible. This is preferably done on the top layer when possible, otherwise by internal/bottom plane, using low resistance vias to decrease layer-to-layer connection resistance. In Figure 25, this **GND** return path is done on an internal plane.
- The external DC power connections (**SRC**, **HVOUT**, **LVOUT** and **BATT**) must be connected to the AEM30940 with low resistance tracks.
- If used, **ZMPP** must be connected to the AEM30940 with a low resistance track, according to the expected **SRC** power.
- The **BAL** pin connection track must be able to handle at least 40 mA.
- The custom mode setting pins **SET_OVDIS**, **SET_CHRDY** and **SET_OVCH** are high impedance analog inputs typically connected to a resistive divider with high resistor values, making those three nodes prone to pickup noise. Thus, it is recommended to keep those as short as possible and as far as possible to noise sources such as DCDC switching nodes.
- The configuration pins and the status pins have minimal layout restrictions.

14.2. Layout Example

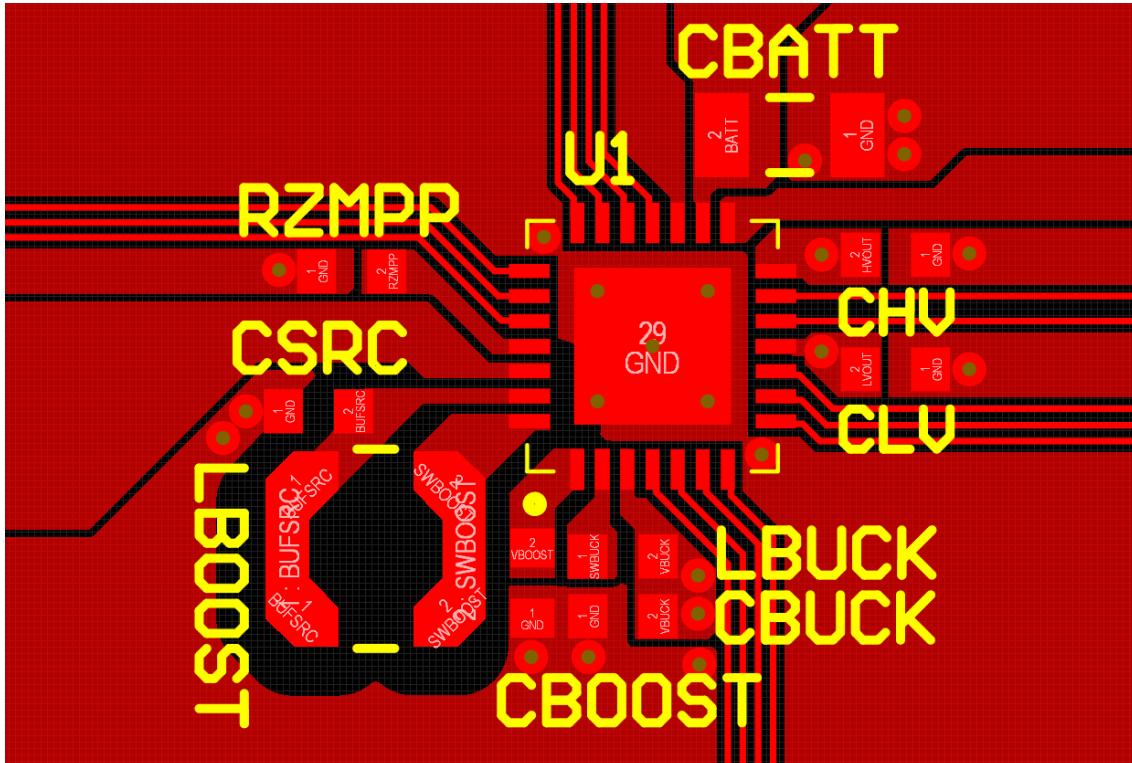


Figure 25: Layout example for the AEM30940 and its passive components

15. Package Information

15.1. Plastic Quad Flatpack No-lead (QFN 28-pin 5x5mm)

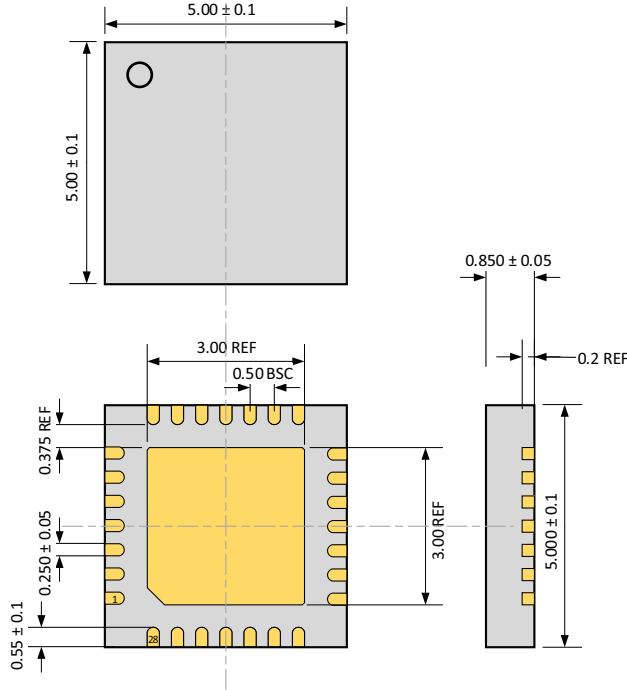


Figure 26: QFN 28-pin 5x5mm drawing (all dimension in mm)

15.2. Board Layout (QFN 28-pin 5x5mm)

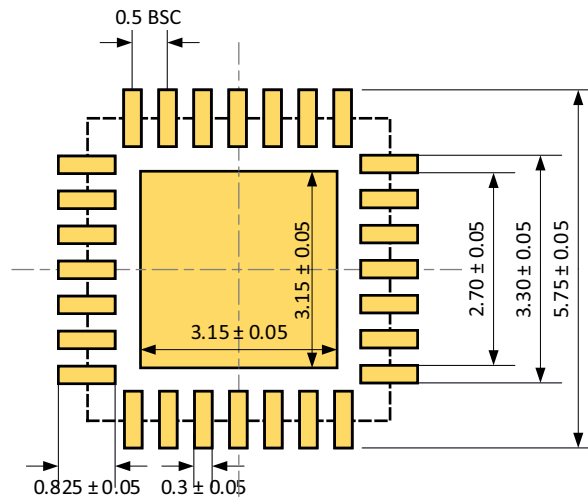


Figure 27: Recommended board layout for QFN 28-pin 5x5mm (all dimension in mm)

16. Glossary

AEM

Ambient Energy Manager.

BOM

Bill Of Materials.

C_{BATT}

Capacitor connected on the **BATT** pin (if no storage element connected).

C_{BOOST}

Output capacitor of the BOOST converter.

C_{BUCK}

Output capacitor of the BUCK converter.

C_{HV}

High-voltage LDO regulator decoupling capacitor.

C_{LV}

Low-voltage LDO regulator decoupling capacitor.

C_{SRC}

BUFSRC pin decoupling capacitor.

GPIO

General Purpose Input / Output.

I_{BUCK}

Total load current supplied by the **BUCK** converter (including the **LVOUT** current I_{LV}).

I_{HV}

Load current supplied by the high-voltage LDO regulator.

I_{LV}

Load current supplied by the low-voltage LDO regulator.

I_{PRIM}

Current from the primary battery.

I_Q

Quiescent current on **BATT** when no energy is available on **SRC**.

I_{SRC}

Harvested current from the energy source.

L_{BOOST}

BOOST converter inductor.

L_{BUCK}

BUCK converter inductor.

LDO

Low Drop-Out.

MPPT

Maximum Power Point Tracking.

PCB

Printed Circuit Board.

P_{SRC_CS}

Minimum power available on **SRC** for the AEM30940 to coldstart.

R_P

Sum of resistors for setting the primary battery minimum voltage. $R_P = R_7 + R_8$.

R_T

Sum of resistors for setting the battery protection threshold voltages in custom mode. $R_T = R_1 + R_2 + R_3 + R_4$.

R_V

Sum of resistors for setting the output voltage of the high-voltage LDO in custom mode. $R_V = R_5 + R_6$.

R_{ZMPP}

Resistor that defines the AEM30940 BOOST converter input resistance when used in ZMPP mode.

T_{CRIT}

Time during which the AEM stays in **SHUTDOWN MODE** before returning to **NORMAL MODE** or going to **DEEP SLEEP MODE**.

$T_{MPPT,VOC}$

Open-circuit duration for the MPP evaluations.

$T_{MPPT,PERIOD}$

Time between two MPP evaluations.

V_{BATT}

Voltage on the **BATT** pin.

V_{BOOST}

Output voltage of the BOOST converter.

V_{BUCK}

Output voltage of the BUCK converter.

$V_{BUCK,RESET}$

Minimum voltage on **BUCK** before switching to **DEEP SLEEP MODE** (from any other mode).

V_{CHRDY}

Charge ready voltage on the **BATT** pin.

V_{FB,PRIM,U}

Feedback for the minimal voltage level on the primary battery.

V_{HV}

Output voltage of the high-voltage LDO regulator.

V_{LV}

Output voltage of the low-voltage LDO regulator.

V_{MPP}

Target regulation voltage on **SRC** when extracting power.

V_{OC}

Open-circuit voltage of the harvester connected to the **SRC** pin.

V_{OVCH}

Over-charge voltage on the **BATT** pin.

V_{OVDIS}

Over-discharge voltage on the **BATT** pin.

V_{PRIM}

Voltage on the primary battery.

V_{PRIM,MIN}

Voltage at which the primary battery is considered fully depleted.

V_{SRC}

Voltage on the **SRC** pin.

ZMPPT

Maximum Power Point Tracking with constant impedance.

17. Revision History

Revision	Date	Description
1.0	July, 2018	Creation of the document.
1.2	June, 2019	<ul style="list-style-type: none"> - Efficiencies measurements updated. - ESD specifications. - HVOUT voltage changed from 4.2 V to 4.1 V in Figure 3. - AC source instead of Power receiving antenna for the front page Figure and the Figures 1, 3 and 4.
1.3	November, 2020	<ul style="list-style-type: none"> - Performances efficiency curves added for the 2450 MHz frequency band. - ESD qualification added. - Changed from “cold-start” or “coldstart” to “cold start” throughout the document.
1.4	June, 2022	CBUCK value changed from 10 μ F to 22 μ F.
1.5	December, 2023	<ul style="list-style-type: none"> - Term “Balun” replaced by “Storage Element Balancing Circuit”. - Term “OVERVOLTAGE mode” replaced by “OVERCHARGE mode”. - External component names color changed to orange instead of blue. - RF input power values and efficiency graphs removed and placed in an app note. - First page: <ul style="list-style-type: none"> - Maximum MPPT voltage operation range corrected to 4.5 V. - SET_OVCH and SET_OVDIS swapped on AEM diagram. - Link to e-peas website added for evaluation boards information. - Table of contents, list of Figures and list of Tables widths changed to page width. - Aesthetic changes in Figures 1, 2, 3, 4, 8, 24, 26, 27 and on Table 7. - “See page...” column removed from Table 1. - Added all AEM pins in the Absolute Maximum Ratings table. - Added “Pin Configuration and Functions” section with pinout diagram and functions. - SET_OVCH, SET_CHRDY and SET_OVDIS pins changed from “left floating” to “connected to BUCK” when not used in Table 1 and in Section 9.1. - Voltage on BATT and PRIM added in Absolute Maximum Ratings table. - Table 5: <ul style="list-style-type: none"> - Footnotes added. - VMPP minimum and maximum values added. - ISRC value added for LBOOST value of 22 μH. - Different min values for VBATT depending on used storage element removed. - VHV maximum value changed from “VBATT - 0.3 V” to “VOVDIS - 0.3 V”. - Added IBUCK, IQ, TMPPT.VOC and TMPPT.PERIOD. - Table 6: <ul style="list-style-type: none"> - CSRC maximum value changed from 150 μF to 22 μF. - LBOOST, CBOOST and CBUCK maximum values removed. - CBUCK min and typical values modified from 15 μF and 22 μF to 8 μF and 10 μF. - ENHV minimum and maximum values removed. - ENLV minimum value replaced by VBUCK. - Specified CBATT minimum value if LDOs enabled or disabled. - Condition to go from SHUTDOWN mode to NORMAL mode corrected to “If VBATT > VOVDIS” in Figure 5 and Section 8.2.5. - Maximum Power Point Tracking section rephrased and MPP behavior figure added. - Added how to use BUCK to supply an application, and BUCK converter performances. - CBATT of 22 μF added when no storage element and LDOs not used (Section 9.7). - Second LBOOST recommended value of 22 μH added in Section 9.8 and Table 10. - SET_OVCH, SET_CHRDY and SET_OVDIS pins connected to VBUCK in Figure 2. - Modified VOVDIS, R2, R3 and R4 values in Example Circuit 2. - Replaced LBOOST LPS4012-103MR by LPS4018-103MR in BOM example table. - New section created to place the circuit behavior figures. - Changed the way of displaying the settings used for the circuit behavior figures. - Layout example replaced by a more recent version. - Added layout guidelines section and glossary section. - Replaced 0 by L for logic LOW and 1 by H for logic HIGH in tables and texts.

Table 11: Revision history (Part 1)

Revision	Date	Description
1.6	March, 2024	<ul style="list-style-type: none"> - STATUS[1] description modified in pin description table. - VBUCK,RESET value added in Electrical Characteristics table. - Diagram of the AEM30940 modes modified with new links between modes. - Primary Battery Mode section and Shutdown Mode section reworked. - Primary battery mode behavior graph moved into a dedicated section. - Efficiency graphs replaced with new ones. - TCRIT description modified in Glossary section.

Table 11: Revision history (Part 2)