

AEM30940 868 MHz Evaluation Board User Guide

Description

The AEM30940 evaluation board is a printed circuit board (PCB) featuring all the needed components to operate the AEM30940 integrated circuit (IC). Please refer to the datasheet for all the useful details about the AEM30940 (Document DS_AEM30940).

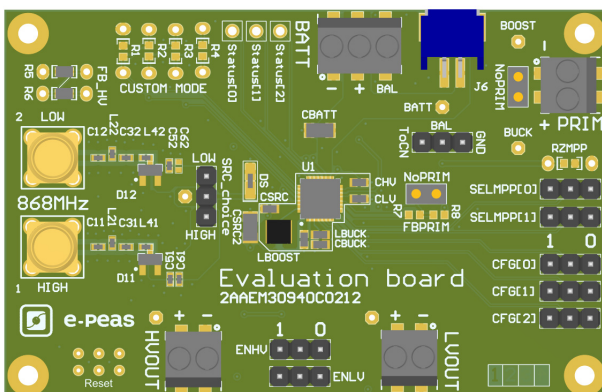
The AEM30940 evaluation board allows users to test the e-peas IC and analyze its performances in a laboratory-like setting.

It allows easy connections to the RF energy harvester, the storage element, the low-voltage and the high-voltage loads. This evaluation board includes two matching networks and rectifiers for a 50 Ω single-ended antenna. It also provides all the configuration access to set the device in any one of the modes described in the datasheet. The MPPT ratio is fixed at 50% to optimize the rectifier efficiency. The control and status signals are available on standard pin headers, allowing users to wire for any usage scenario and evaluate the relevant performance.

The AEM30940 evaluation board is a plug and play, intuitive and efficient tool for making the appropriate decisions (component selection, operating modes...) for the design of a highly efficient subsystem powered by radio frequency energy harvesting in your target application.

There are three designs of the AEM30940 evaluation board for RF harvesting. One is for the 868MHz band, one is for the 915MHz and another for the 2.4GHz band.

Appearance



Features

Two-way screw terminals

- Low-voltage load.
- High-voltage load.
- Primary energy storage element.
- Resistor for ZMPP configuration.

Three-way screw terminals

- Energy storage element (Battery or (super)capacitor).

2-pin "Shrouded Header"

- Alternative connection for the storage element.

3-pin headers

- Maximum power point tracker (MPPT) configuration.
- Low drop-out regulators (LDOs) enabling.
- Energy storage elements and LDOs configuration.
- Dual-cell supercapacitor configuration.

2-pin headers

- Primary battery configuration.

Provision for resistors

- Custom mode configuration.
- Primary battery configuration.
- ZMPP configuration.

1-pin headers

- Access to status pins.

EvB Information

Part Number	Dimensions
2AAEM30940C031 REV:3	76 mm x 49 mm

Device Information

Part Number	Dimensions
10AEM30940C0000	5 mm x 5 mm

1. Connections Diagram

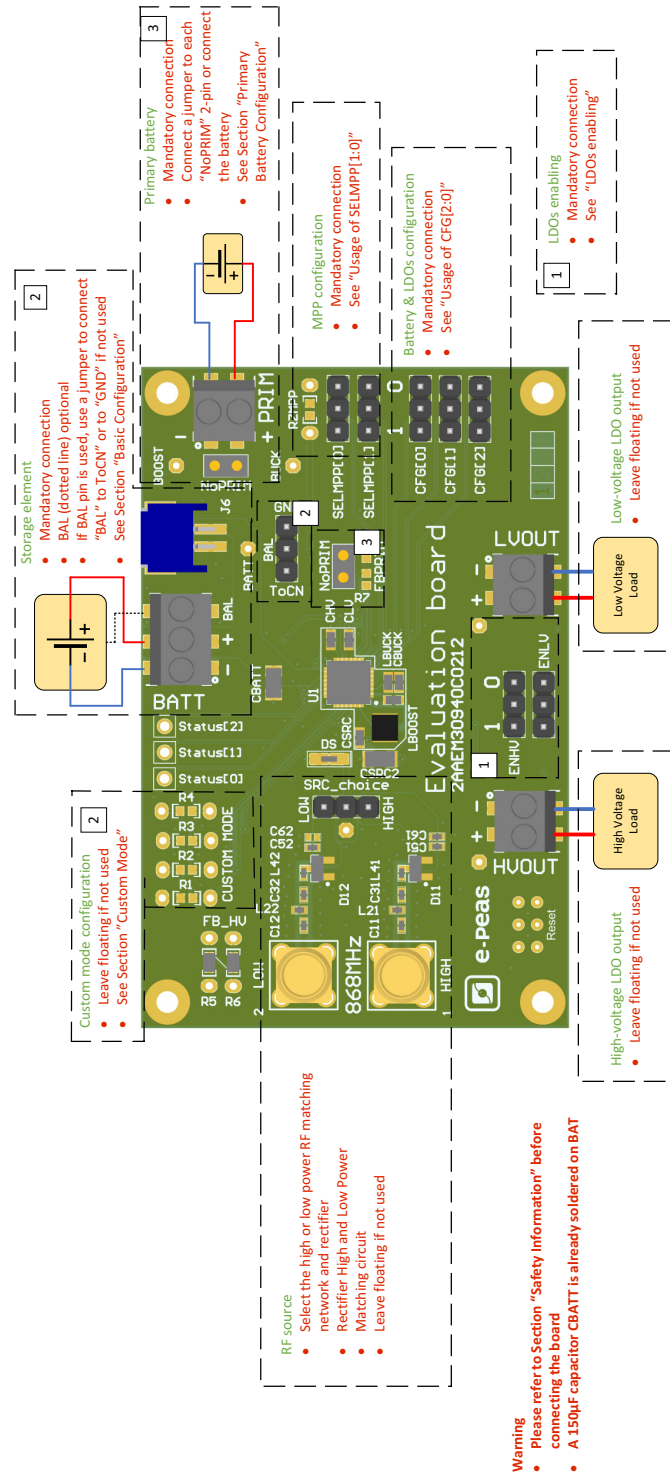


Figure 1: Connection Diagram

1.1. Signals Description

NAME	FUNCTION	If used CONNECTION	If not used
Power signals			
SRC	Connection to the harvested energy source.	Connect the source element.	
BATT	Connection to the energy storage element.	Connect the storage element in addition to CBATT ^a (min 150 µF).	Do not remove CBATT.
BAL	Connection to mid-point of a dual-cell supercapacitor.	Connect mid-point of supercapacitor and a jumper from “BAL” to “ToCN”.	Use a jumper to connect “BAL” to “GND”.
PRIM	Connection to the primary battery.	Connect primary battery and remove the “NoPRIM” jumpers.	Connect a jumper to each “NoPRIM” 2-pin.
LVOUT	Output of the low-voltage LDO regulator.	Connect a load.	Leave floating
HVOUT	Output of the high-voltage LDO regulator.	Connect a load.	Leave floating
Debug signals			
VBOOST	Output of the boost converter.		
VBUCK	Output of the buck converter.		
BUFSRC	Connection to an external capacitor buffering the boost converter input.		
Configuration signals			
CFG[2:0]	Configuration of the threshold voltages for the energy storage element.	Connect jumpers (see Table 2).	Cannot be left floating (see Table 2).
SELMPP[1:0]	Configuration of the MPP ratio.	Connect jumpers (see Table 4).	Cannot be left floating (see Table 4).
FB_PRIM_D FB_PRIM_U	Configuration of the primary battery.	Use resistors R7-R8 (see Section 2.3.3).	Connect a jumper to each “NoPRIM” 2-pin.
FB_HV	Configuration of the high-voltage LDO in the custom mode.	Use resistor R5-R6 (see Section 2.3.1).	Leave floating.
RZMPP	Configuration of the constant impedance ZMPP.	Use resistor RZMPP (see Section 2.3.2).	Leave floating.
Control signals			
ENHV	Enabling pin for the high-voltage LDO.	Connect jumper (see Table 3).	Cannot be left floating (see Table 3).
ENLV	Enabling pin for the low-voltage LDO.	Connect jumper (see Table 3).	Cannot be left floating (see Table 3).
Status signals			
STATUS[2]	Logic output. Asserted when the AEM performs a MPP evaluation.		
STATUS[1]	Logic output. Asserted if the battery voltage falls under Vovdis or if the AEM is taking energy from the primary battery.		
STATUS[0]	Logic output. Asserted when the LDOs can be enabled.		

Table 1: Pin Description

a. CBATT capacity on the EvK may vary depending on suppliers availability, with a minimum value of 150µF.

2. General Considerations

2.1. Safety Information

Always connect the elements in the following order:

1. Reset the board - see “How to reset the AEM30940 evaluation board” on Figure 2.
2. Completely configure the PCB (jumpers/resistors):
 - MPP configuration (SELMPP[1:0], RZMPP) - see Table 4.
 - Battery and LDOs configuration (CFG[2:0]) - see Table 2.
 - Primary battery configuration (“NoPRIM” or R7-R8) - see Section 2.3.3.
 - LDOs enabling (ENHV and ENLV) - see Table 3.
 - Balancing circuit connection (BAL) - see Section 2.3.4.
3. Connect the storage elements on BATT and optionally the primary battery on PRIM.
4. Connect the high and/or low voltage loads on HVOUT/LVOUT (optional).
5. Connect the source .

To avoid damage to the board, users are urged to follow this procedure.

How to reset the AEM30940 evaluation board:

To reset the board, simply disconnect the storage element and the optional primary battery and connect the reset pads to GND in order to discharge the internal nodes of the system.

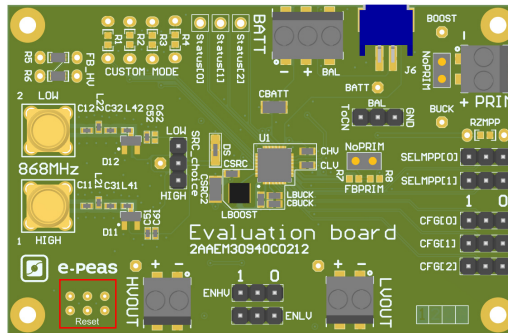


Figure 2: Board Reset

2.2. Basic Configurations

Configuration pins			Storage element threshold voltages			LDOs output voltages		Typical use	
CFG[2]	CFG[1]	CFG[0]	V_{OVCH}	V_{CHRDY}	V_{OVDIS}	V_{HV}	V_{LV}		
H	H	H	4.12 V	3.67 V	3.60 V	3.3 V	1.8 V	Li-ion battery	
H	H	L	4.12 V	4.04 V	3.60 V	3.3 V	1.8 V	Solid state battery	
H	L	H	4.12 V	3.67 V	3.01 V	2.5 V	1.8 V	Li-ion/NiMH battery	
H	L	L	2.70 V	2.30 V	2.20 V	1.8 V	1.2 V	Single-cell (super) capacitor	
L	H	H	4.50 V	3.67 V	2.80 V	2.5 V	1.8 V	Dual-cell supercapacitor	
L	H	L	4.50 V	3.92 V	3.60 V	3.3 V	1.8 V	Dual-cell supercapacitor	
L	L	H	3.63 V	3.10 V	2.80 V	2.5 V	1.8 V	LiFePO4 battery	
L	L	L	Custom mode - see Section 2.3.1.					1.8 V	

Table 2: Usage of CFG[2:0]

ENLV	ENHV	LV output	HV output
H	H	Enabled	Enabled
H	L	Enabled	Disabled
L	H	Disabled	Enabled
L	L	Disabled	Disabled

Table 3: LDOs enabling

SELMPP[1]	SELMPP[0]	Vmpp/Voc
L	L	50%
L	H	65%
H	L	80%
H	H	ZMPP

Table 4: Usage of SELMPP[1:0]

2.3. Advanced Configurations

A complete description of the system constraints and configurations is available in the AEM30940 datasheet "System configuration" Section.

A reminder on how to calculate the configuration resistors value is provided below. Calculation can be made with the help of the spreadsheet found on e-peas website.

2.3.1. Custom Mode

In addition to the pre-defined storage element protection levels, the custom mode allows users to define their own levels via resistors R1 to R4 and to tune the output of the high voltage LDO HVOUT via resistors R5-R6.

Here is how to determine the values of R1-R4 to set the desired storage element protection levels:

- $R_T = R_1 + R_2 + R_3 + R_4$
- $1\text{M}\Omega \leq R_T \leq 100\text{M}\Omega$
- $R_1 = R_T \cdot \frac{1\text{V}}{V_{\text{OVCH}}}$
- $R_2 = R_T \cdot \left(\frac{1\text{V}}{V_{\text{CHRDY}}} - \frac{1\text{V}}{V_{\text{OVCH}}} \right)$
- $R_3 = R_T \cdot \left(\frac{1\text{V}}{V_{\text{OVDIS}}} - \frac{1\text{V}}{V_{\text{CHRDY}}} \right)$
- $R_4 = R_T \cdot \left(1 - \frac{1\text{V}}{V_{\text{OVDIS}}} \right)$

Here is how to determine the values of R5-R6 to set the desired HVOUT voltages:

- $R_V = R_5 + R_6$
- $1\text{M}\Omega \leq R_V \leq 40\text{M}\Omega$
- $R_5 = R_V \cdot \frac{1\text{V}}{V_{\text{HV}}}$
- $R_6 = R_V \cdot \left(1 - \frac{1\text{V}}{V_{\text{HV}}} \right)$

Make sure the protection levels satisfy the following conditions:

- $V_{\text{CHRDY}} + 0.05\text{V} \leq V_{\text{OVCH}} \leq 4.5\text{V}$
- $V_{\text{OVDIS}} + 0.05\text{V} \leq V_{\text{CHRDY}} \leq V_{\text{OVCH}} - 0.5\text{V}$
- $2.2\text{V} \leq V_{\text{OVDIS}}$

- $V_{\text{HV}} \leq V_{\text{OVDIS}} - 0.3\text{V}$

If custom mode used:

- Remove R2, R3 and R zero ohm resistors.
- Set resistors R1 to R6 to configure the custom mode.

If custom mode unused:

- Leave the resistor footprints of R1 to R6 empty.
- Place 0 ohm resistors on R.
- Do not set CFG[2:0] to LLL.

2.3.2. ZMPP Configuration

If this configuration is chosen (see Table 4), the AEM30940 regulates V_{SRC} at a voltage equals to the product of R_{ZMPP} times the current available at the source.

If unused, leave the resistor footprint R_{ZMPP} empty.

2.3.3. Primary Battery Configuration

If a primary storage is used, it is mandatory to determine $V_{\text{PRIM,MIN}}$, the voltage at which the primary battery is considered fully depleted. To do so, use resistors R7 - R8.

These resistors are calculated as follows:

- $R_p = R_7 + R_8$
- $100\text{k}\Omega \leq R_p \leq 500\text{k}\Omega$
- $R_7 = \frac{V_{\text{PRIM,MIN}}}{4} \cdot R_p \cdot \frac{1}{2.2\text{V}}$
- $R_8 = R_p - R_7$

If unused, use a jumper to short each "NoPRIM" 2-pin headers.

2.3.4. Balancing Circuit Configuration

When using a dual-cell supercapacitor (that does not already include a balancing circuit), enable the balancing circuit configuration to ensure equal voltage on both cells. To do so:

- Connect the node between the two supercapacitor cells to BAL (on BATT connector).
- Use a jumper to connect "BAL" to "ToCN".

If unused, use a jumper to connect "BAL" to "GND".

3. Functional Tests

This section presents a few simple tests that allow the user to understand the functional behavior of the AEM30940. To avoid damaging the board, follow the procedure found in Section 2.1 “Safety Information”. If a test has to be restarted make sure to properly reset the system to obtain reproducible results.

Those functional tests were made using the following setup:

- Configurations:
 - SELMPP[1:0] = LL
 - CFG[2:0] = HLL, ENHV = H, ENLV = H.
- Storage element: Capacitor (4.7 mF + CBATT).
- Loads: 10 kΩ on HVOUT. LVOUT left floating.
- SRC: current source (1 mA or 100 μA) with voltage compliance (4V) applied on the middle pin of the source element selection header named SRC_choice.

Feel free to adapt the setup to match your system as long as the input and cold-start constraints are respected (see the AEM30940 datasheet “Introduction” Section).

3.1. Start-up

The following example allows users to observe the behavior of the AEM30940 in the wake-up mode.

Setup

- Place the probes on the nodes to be observed.
- Referring to Figure 1, follow steps 1 to 5 explained in Section 2.1 “Safety Information”.

Observations and Measurements

- BATT: Voltage rises as the power provided by the source is transferred to the storage element (see Figure 3).
- SRC: Regulated at V_{MPP} , which is a voltage equal to the open-circuit voltage (V_{OC}) times the MPP ratio defined in Table 4. V_{SRC} equals V_{OC} during MPP evaluation (see Figure 4). Note that V_{src} must be higher than 380 mV to coldstart.
- HVOUT/LVOUT: Regulated when voltage on BATT first rises above V_{CHRDY} (see Figure 3).
- STATUS[0]: Asserted when the LDOs are ready to be enabled (refer to the AEM30940 datasheet “Normal Mode” section) (see Figure 3).
- STATUS[2]: Asserted each time the AEM30940 performs a MPP evaluation (See Figure 4).

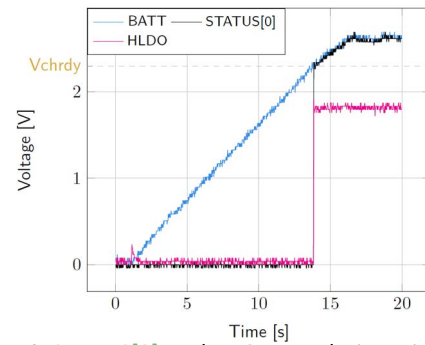


Figure 3: STATUS[0] and HVOUT evolution with BATT

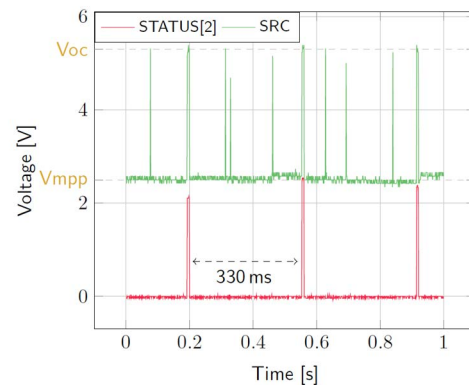


Figure 4: SRC and STATUS[2] while energy is extracted from SRC (BATT under V_{OVCH})

3.2. Shutdown

This test allows users to observe the behavior of the AEM30940 when the system is running out of energy.

Setup

- Place the probes on the nodes to be observed.
- Referring to Figure 1, follow steps 1 to 5 explained in Section 2.1 “Safety Information”. Configure the board in the desired state and start the system (see Section 3.1). Do not use a primary battery.
- Let the system reach a steady state (i.e. voltage on BATT between V_{CHRDY} and V_{OVCH} and STATUS[0] asserted).
- Remove the PV cell and let the system discharge through quiescent current and HVOUT/LVOUT load(s).

Observations and Measurements

- BATT: Voltage decreases as the system consumes the power accumulated in the storage element. The voltage remains stable after crossing V_{OVDIS} (see Figure 5).

- **STATUS[0]**: De-asserted when the LDOs are no longer available as the storage element is running out of energy. This happens 600 ms after **STATUS[1]** assertion (see Figure 5).
- **STATUS[1]**: Asserted for 600ms when the storage element voltage (**BATT**) falls below V_{OVDIS} (see Figure 5).

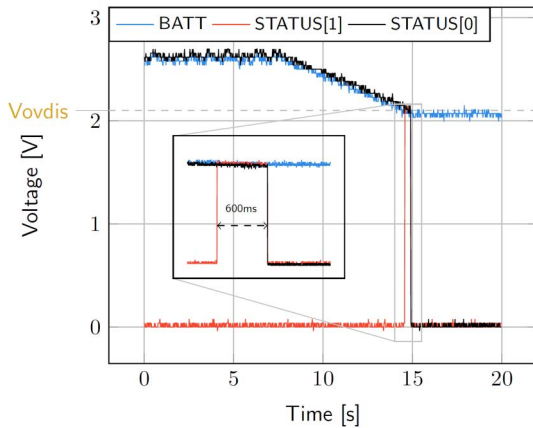


Figure 5: LDOs disabled around 600 ms after **BATT** reaches V_{OVDIS}

3.3. Switching on Primary Battery

This example allows users to observe switching from the main storage element to the primary battery when the system is running out of energy.

Setup

- Place the probes on the nodes to be observed.
- Referring to Figure 1, follow steps 1 to 5 explained in Section 2.1 "Safety Information". Configure the board in the desired state and start the system (see Section 3.1). Connect a primary battery (example: 3.1 V coin cell with protection level at 2.4 V, $R7 = 68\text{ k}\Omega$ and $R8 = 180\text{ k}\Omega$).
- Let the system reach a steady state (i.e. voltage on **BATT** between V_{CHRDRY} and V_{OVDIS} and **STATUS[0]** asserted).
- Remove the PV cell and let the system discharge through quiescent current and **HVOUT/LVOUT** load(s).

Observations and Measurements

- **BATT**: Voltage decreases as the system consumes the power accumulated in the storage element. The voltage reaches V_{OVDIS} and then rises again to V_{CHRDRY} as it is recharged from the primary battery (see Figure 6).

- **STATUS[0]**: Never de-asserted as the LDOs are still functional (see Figure 6).
- **HVOUT**: Stable and not affected by switching on the primary battery (see Figure 6).

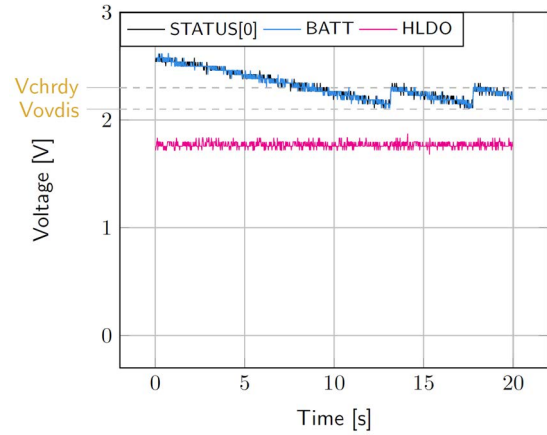


Figure 6: Switching from **SRC** to the primary battery

3.4. Cold Start

The following test allows the user to observe the minimum voltage required to coldstart the AEM30940. To prevent leakage current induced by the probe, the user should avoid probing any unnecessary node. Make sure to properly reset the board to observe the cold-start behavior.

Setup

- Place the probes on the nodes to be observed.
- Referring Figure 1, follow steps 1 and 2 explained in Section 2.1. Configure the board in the desired state. Do not plug any storage element in addition to CBATT.
- **SRC**: Connect your source element on the middle point of the source element selection header.

Observations and Measurements

- **SRC**: Equal to the cold-start voltage during the cold-start phase. Regulated at the selected MPPT percentage of V_{OC} when cold start is over. (See Figure 7). Be careful that the cold-start phase time will shorten with the input power. Limit it to ease the observation.
- **BATT**: Starts to charge when the cold-start phase is over (see Figure 7).

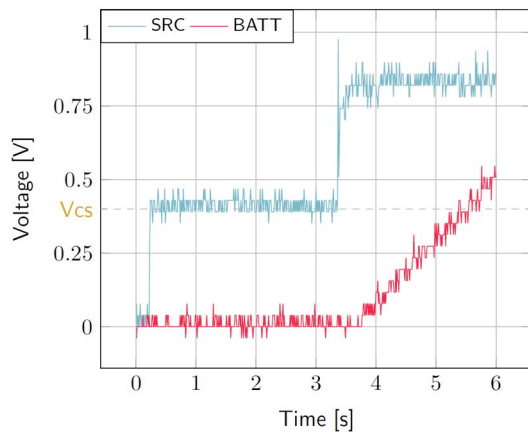


Figure 7: AEM30940 behavior during cold start

3.5. Dual-cell Supercapacitor Balancing Circuit

The following test allows the user to observe the balancing circuit behavior that balances the voltage on both side of the **BAL** pin.

Setup

- Following steps 1 and 2 explained in Section 2.1 and referring to Figure 1, configure the board in the desired state. Plug the jumper linking “**BAL**” to “ToCN”.
- **BATT**: Plug a capacitor C1 between the positive (+) pin and the **BAL** pin, and a capacitor C2 between the **BAL** pin and the negative (-) pin.
 - $C1 \ \& \ C2 > 1 \text{ mF}$.
 - $(C2 \times V_{\text{CHRDY}}) / C1 \geq 0.9 \text{ V}$.
- SMA connector: Plug your source element to power up the system.

Observations and Measurements

- **BAL** voltage equals half of the **BATT** voltage.

Warning regarding measurements:

Any item connected to the PCB (load, probe, storage device, etc.) involves a leakage current. This can negatively impact the measurements. Whenever possible, disconnect unused items to limit this effect.

4. Performance Tests

This section presents the tests to reproduce the performance graphs found in the AEM30940 datasheet and to understand the functionalities of the AEM30940. To be able to reproduce those tests, the following equipment is required:

- 1 voltage source.
- 2 source measure units (SMUs).
- 1 oscilloscope.

To avoid damaging the board, follow the procedure in Section 2.1 “Safety Information”. If a test has to be restarted, make sure to properly reset the system to obtain reproducible results (see “How to reset the AEM30940 evaluation board” in Section 2.1).

4.1. LDOs

The following example instructs users on how to measure the output voltage stability of the LDOs (Low-voltage and High-voltage LDO regulation Sections of the AEM30940 datasheet).

Setup

- Referring to Figure 1, follow steps 1 and 2 explained in the Section 2.1. Configure the board in the desired state and connect your storage element(s).
- **VBOOST**: Connect SMU1. Configure it to Voltage Source with a Current Compliance of 200 mA.
- **HVOUT** / **LVOUT**: Connect SMU2 to the LDO you want to measure. Configure it to sink current with a Voltage Compliance of 5 V for **HVOUT** or 2.5 V for **LVOUT**.

Manipulations

- Impose a voltage between V_{OVCH} and 5 V on SMU1 to force the AEM to start.
- Sweep voltage on SMU1 from $V_{OVDIS} + 50$ mV to 4.5 V.
- Repeat with different current levels on SMU2 (from 10 μ A to 80 mA for **HVOUT** and from 10 μ A to 20 mA for **LVOUT**). Please make sure to set negative current values on SMU2 to simulate the load.

Measurements

- **HVOUT/LVOUT**: Measure the voltage.

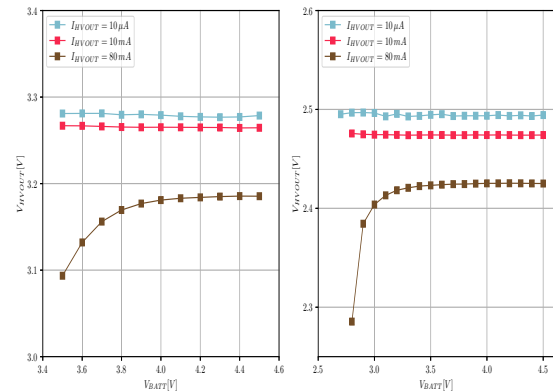


Figure 8: **HVOUT** at 3.3 V and 2.5 V

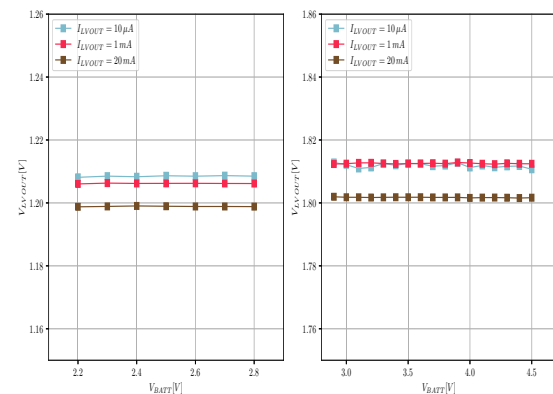


Figure 9: **LVOUT** at 1.2 V and 1.8 V

4.2. BOOST Efficiency

This test allows users to reproduce the efficiency graphs of the AEM30940 boost converter (Boost Conversion Efficiency Sections of the AEM30940 datasheet).

Setup

- Following steps 1 and 2 explained in the Section 2.1 and referring to Figure 1, configure the board in the desired state.
- **VBUCK**: Connect a 2.3 V Voltage Source to prevent **VBUCK** to sink current from **VBOOST**.
- **SRC** (middle point of the source element selection header): Connect SMU1. Configure it to Current Source with a Voltage Compliance of 0 V.
- **VBOOST**: Connect SMU2 and configure it to Voltage Source with a Current Compliance of 200 mV.
- **STATUS[2]**: Connect to one of the SMU to detect falling edge.

Manipulations

- Impose a voltage between V_{OVCH} and 5 V on SMU2 to force the AEM to start. When done, impose a voltage between $V_{OVDIS} + 50$ mV and V_{OVCH} .
- Sweep voltage compliance on SMU1 from $V_{OVDIS} + 50$ mV to 4.5 V.
- Repeat with different current levels on SMU1 (from 100 μ A to 100 mA) and with different voltage levels on SMU2 (from $V_{OVDIS} + 50$ mV to V_{OVCH}).

Measurements

- **STATUS[2]**: Do not make any measurements while high (boost converter is not active during MPP calculation).
- **SRC**: Measure the current and the voltage.
- **VBOOST**: Measure the current and the voltage. Repeat the measurement a copious number of times to be sure to capture the current peaks. Figure 10 has been obtained by averaging over 100 measurements configured with a 100 ms integration time.
- Deduce input and output power ($P = U \times I$) and efficiency ($\eta = P_{out}/P_{in}$).

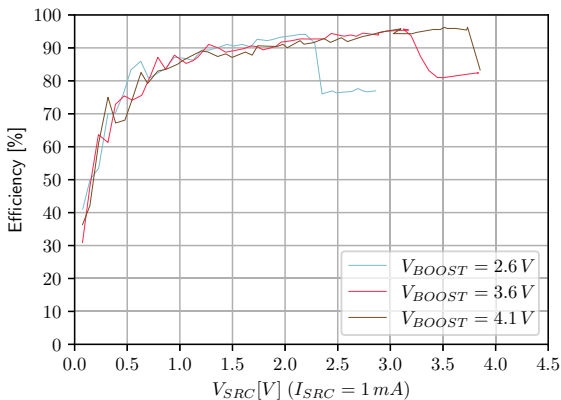


Figure 10: Boost efficiency for $I_{SRC} = 1$ mA

4.3. Custom Mode Configuration

This test allows users to measure the custom protection levels of the storage element set by resistors R1 to R6.

Setup

- Referring to Section 1, follow steps 1 and 2 explained in Section 2.1.
- To select custom mode:
 - Set **CFG[2:0]** = LLL.
 - Remove R2, R3 and R.
 - Choose R1 to R6 to configure the battery protection levels and **HVOUT** output voltage.
- Place the probes on the nodes to be observed.
- **SRC**: connect your source element to power up the system.

Manipulations

- Remove the source element after the voltage on **BATT** has reached steady state (between V_{CHRDY} and V_{OVCH}).

Measurements

Measure the following nodes to ensure the correct behavior of the AEM30940 with respect to the custom configuration:

- **STATUS[0]**: Asserted when the LDOs can be enabled (i.e. when **BATT** first rises above V_{CHRDY}).
- **STATUS[1]**: Asserted when **BATT** falls below V_{OVDIS} .
- **BATT**: Rise up and oscillate around V_{OVCH} as long as the source element has not been removed.
- **HVOUT**: Equal to the value set by R5-R6.

6. Revision History

EVK Version	User Guide Revision	Date	Description
1.0	2.0	September, 2019	Creation of the document
868: 1.2 915: 1.3 2.45: 1.3	2.1	August, 2023	<ul style="list-style-type: none"> - Aesthetic modifications - Information and figure added for the 2450 MHz EvK - Functional Tests and Performance Tests sections added - AEM30940 RF EvKs schematics added
1.2	1.0	October, 2023	Separate UG for each RF EvK of the AEM30940

Table 5: Revision History